

# Steel ball valve - DN125-200, PN25

## Type 61102 - Reduced bore

### Welding × Welding with ISO-flange

Fully welded steel ball valve.

### Materials

See next page.

### Applications

Isolating valve for heating systems, district heating, cooling and industrial purpose.

### Media

Water, air and other media not decomposing the steel. Not suitable for steam. If in doubt, please contact BROEN Ballomax® Sales Department.

### Surface treatment

Eco-friendly protection finish against corrosion.

### Operation

The standard handle is 180 degrees adjustable.

The following operating devices are available on request:

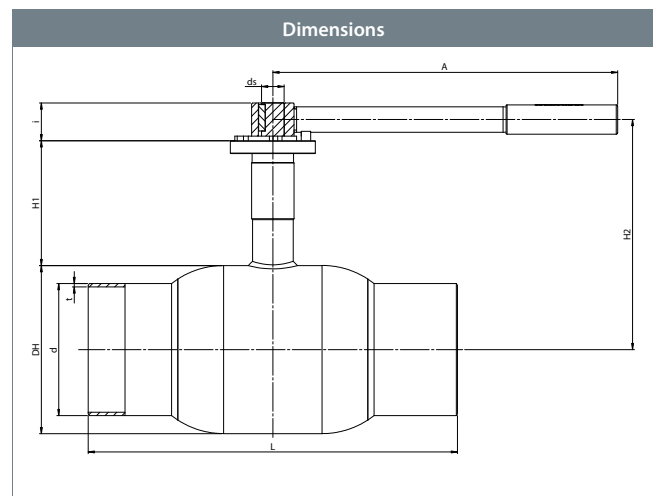
- BROEN-Gear.
- Electric actuator.

### Approvals and certificates

BROEN is certified according to ISO 9001 and environmentally certified according to ISO 14001. BROEN Ballomax® is approved according to the requirements of Pressure Equipment Directive (PED). All ball valves as from DN40 are CE-marked. The 3.1 certificate is available upon request.

### Notice

We recommend to add a BROEN-Gear.



DN	BROEN No.	Bore	Kvs	net Weight kg	All dimensions in mm									
					DH	d	t	L	H1	H2	ds	i	A	ISO
125	61102125 010	100	699	14.3	178	139.7	3.6	390	132	221	24	40	365	F07
150	61102150 010	125	1046	26.0	219	168.3	4.0	390	135	245	30	50	650	F10
200	61102200 010	150	1500	43.4	267	219.1	4.5	390	155	289	30	60	900	F12

## Steel ball valve - DN125-200, PN25

Type 61102 - Reduced bore

Technical drawing		Material description	
	1	Welding	Steel - P235GH / 1.0345 / EN 10217-2
	5	Valve body	Steel - P235GH / 1.0345 / EN 10217-2
	6	Ball	Stainless steel - AISI304L / 1.4306 / EN 10217-7
	7	Seat ring	PTFE 20% Carbon
	8	Back-up ring	Steel - DC01 / 1.0330 / EN 10130
	9	Disc spring	Steel - C75S / 1.1248 / EN 10132-4
	11	Stem guide	Steel - S355J2 / 1.0570 / EN 10025-2
	12	Stem	Stainless steel / 1.4021 / EN 10088-3
	13	Stem washer	Stainless steel / 1.4301 / EN 10088-3
	14	Friction washer	PTFE 20% Carbon
	15	O-ring	Rubber - EPDM70
	17	O-ring	Rubber - FPM70
	18	Intermediate ring	Stainless steel / 1.4305 / EN 10088-3
	19	Stop pin (Unbraco)	Steel - hardenat
	20	Handle	Steel
	22	Bearing	Steel - PTFE
	23	ISO-flange	Steel - S235JRG2 / 1.0038 / EN 10025-2
	24	Pin	Steel - hardenat
	25	Friction gasket	PTFE 20% Carbon

Accessories	BROEN No.	Dimension	Description
	600584	DN125	BROEN-Gear.
	600585	DN150	
	600586	DN200	