

Steel ball valve - DN10-50, PN25

Type BBM 12031 - Full bore

Female x Female with high or low stem

Steel ball valve.

Materials

See next page.

Applications

Isolating valve for heating systems, district heating, cooling and industrial purpose.

Media

Water, air and other media not decomposing the steel. Not suitable for steam. If in doubt, please contact BROEN BALLOMAX® Sales Department.

Surface treatment

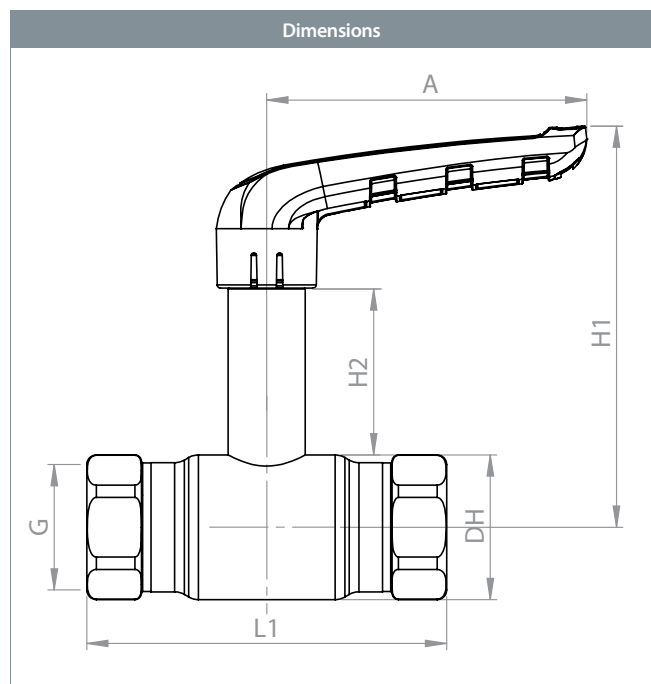
All BROEN BALLOMAX® valves are powder coated in black.

Operation

The standard handle is 180 degrees adjustable.

Approvals and certificates

BROEN is certified according to ISO 9001 and environmentally certified according to ISO 14001. BROEN BALLOMAX® is approved according to the requirements of Pressure Equipment Directive (PED). All ball valves as from DN40 are CE-marked. The 3.1 certificate is available upon request.



					All dimensions in mm						
DN	BROEN No.	Bore	Kvs	net Weight kg	G	DH	L1	H1	H2	A	
HIGH	10	1010002031-2101	10	13	0.30	3/8"	Ø26.0	74	106	55	75
	15	1015002031-2101	15	26	0.35	1/2"	Ø30.0	94	108	55	75
	20	1020002031-2101	20	49	0.47	3/4"	Ø38.0	104	111	54	75
	25	1025002031-2101	25	75	0.80	1"	Ø45.0	112	125	52	100
	32	1032002031-2101	32	110	1.21	1 1/4"	Ø56.5	134	131	52	100
	40	1040002031-2101	40	214	1.83	1 1/2"	Ø68.0	156	156	63	120
	50	1050002031-2101	50	308	3.09	2"	Ø85.0	192	165	63	120
					All dimensions in mm						
DN	BROEN No.	Bore	Kvs	net Weight kg	G	DH	L1	H1	H2	A	
LOW	15	1015002030-2101	15	26	0.27	1/2"	Ø30.0	94	68	15	75
	20	1020002030-2101	20	49	0.39	3/4"	Ø38.0	104	69	11	75
	25	1025002030-2101	25	75	0.67	1"	Ø45.0	112	87	14	100

Steel ball valve - DN10-50, PN25

Type BBM 12031 - Full bore



Technical drawing		Material description	
	1	Valve body	Steel - P235GH / 1.0345 / EN 10217-2
	2	Lock ring	Steel
	3	O-ring	Rubber - EPDM70
	4	Stem guide	Steel - P235GH / 1.0345 / EN 10217-2
	5	Ring	Plastic - PTFE 20% Carbon
	6	Stem	Stainless steel - AISI316 / EN 1.4401
	7	Ball	Stainless steel - AISI304 / 1.4301 / EN 10088-3
	8	Spring supporting	Stainless steel - AISI316 / EN 1.4401
	9	Seal	Plastic - TFM™ PTFE
	10	Friction ring	Plastic - TFM™ PTFE
	11	Handle core	Galvanized steel
	12	Handle	Fiberglass reinforced nylon - PA66
16	Female	Steel - P235GH / 1.0345 / EN 10217-2 / ISO 228-1	