

Steel ball valve - DN65-125, PN25

Type 94103 - Full bore

Flange × Flange

Fully welded steel ball valve.

Materials

See next page.

Applications

Isolating valve for heating systems, district heating, cooling and industrial purpose.

Media

Water, air and other media not decomposing the steel. Not suitable for steam. If in doubt, please contact BROEN BALLOMAX® Sales Department.

Surface treatment

Eco-friendly protection finish against corrosion.

Operation

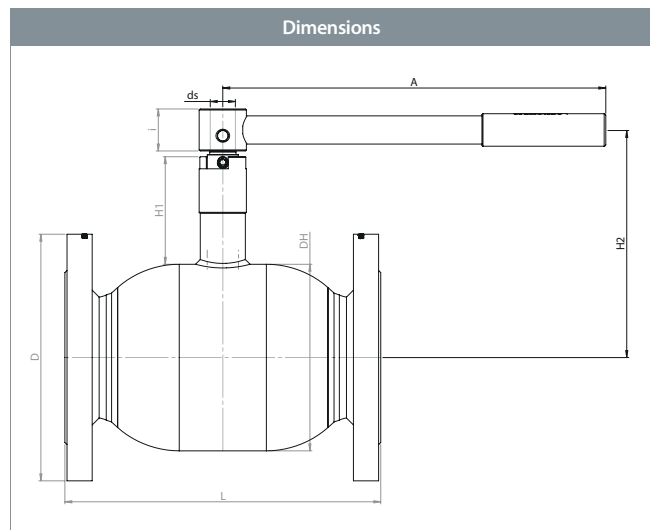
The standard handle is 180 degrees adjustable.

Approvals and certificates

BROEN is certified according to ISO 9001 and environmentally certified according to ISO 14001. BROEN BALLOMAX® is approved according to the requirements of Pressure Equipment Directive (PED). All ball valves as from DN40 are CE-marked. The 3.1 certificate is available upon request.

Notice

We recommend to add a BROEN-Gear for DN100-125. Other pressure levels, lengths and special flanges available on request.



DN	BROEN No.	Bore	Kvs	net Weight kg	All dimensions in mm								
					DH	D	L	H1	H2	ds	i	A	ISO
65	9410325065 010	65	498	13.2	127	185	290	66	155	18	31	275	-
80	9410325080 010	80	754	18.6	152	200	280	81	192	24	40	365	-
100	9410325100 010	100	1159	24.5	178	235	300	91	218	24	40	365	-
125	9410325125 010	125	1841	40.5	219	270	325	90	248	30	55	650	F10

Steel ball valve - DN65-125, PN25

Type 94103 - Full bore



Technical drawing		Material description	
	1	Welding	Steel - P235GH / 1.0345 / EN 10217-2
	2	Flange	Steel - S235JRG2 / 1.0038 / EN 10025-2
	5	Valve body	Steel - P235GH / 1.0345 / EN 10217-2
	6	Ball	Stainless steel - AISI304L / 1.4306 / EN 10217-7
	7	Seat ring	PTFE 20% Carbon
	8	Back-up ring	Steel - DC01 / 1.0330 / EN 10130
	9	Disc spring	Steel - C75S / 1.1248 / EN 10132-4
	11	Stem guide	Steel - S355J2+N / 1.0570 / EN 10025-2
	12	Stem	Stainless steel - ASTM420 / 1.4021 / EN 10088-3
	13	Stem washer	Stainless steel - AISI304 / 1.4301 / EN 10088-3
	14	Friction washer	PTFE 20% Carbon
	15	O-ring	Rubber - EPDM70
	17	O-ring	Rubber - FPM70
	18	Intermediate ring	Stainless steel - AISI303 / 1.4305 / EN 10088-3
	19	Pin	Steel - hardenat
	20	Handle	Steel
	22	Bearing	Steel - PTFE
	23	ISO-flange	Steel - S235JRG2 / 1.0038 / EN 10025-2
	24	Pin	Steel - hardenat
	25	Friction gasket	PTFE 20% Carbon
30	Circlip	Steel	

Accessories	BROEN No.	Dimension	Description
	600584	DN100	BROEN-Gear.
	600585	DN125	
	167245	DN65	ISO-flange.
	169245	DN80	
	66160065 000	DN65	Hexagon for insertion key.
	66164100 000	DN80	
	66161100 000	DN100	
	66161150 000	DN125	

Special model: Minimum length - Flange x Flange - DN65-125:

DN	Standard length - mm	Minimum length - mm
65	270	206
80	280	224
100	300	244
125	325	272