

# Steel ball valve - DN65-125, PN16

## Type 94103 - Full bore

### Flange × Flange

Fully welded steel ball valve.

### Materials

See next page.

### Applications

Isolating valve for heating systems, district heating, cooling and industrial purpose.

### Media

Water, air and other media not decomposing the steel. Not suitable for steam. If in doubt, please contact BROEN BALLOMAX® Sales Department.

### Surface treatment

Eco-friendly protection finish against corrosion.

### Operation

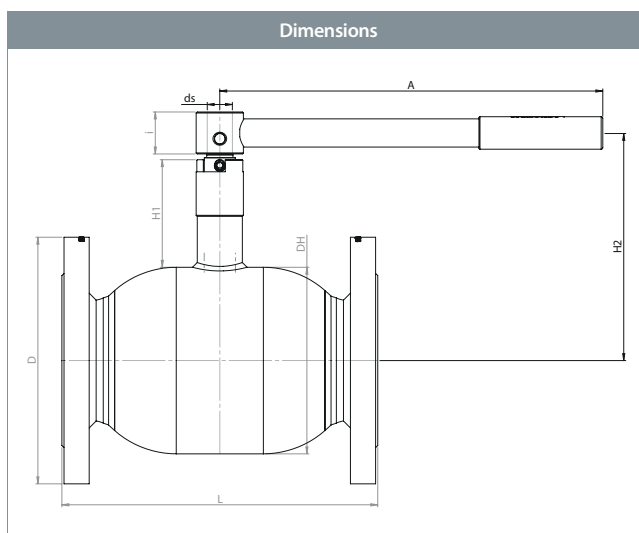
The standard handle is 180 degrees adjustable.

### Approvals and certificates

BROEN is certified according to ISO 9001 and environmentally certified according to ISO 14001. BROEN BALLOMAX® is approved according to the requirements of Pressure Equipment Directive (PED). All ball valves as from DN40 are CE-marked. The 3.1 certificate is available upon request.

### Notice

Other pressure levels, lengths and special flanges available on request. We recommend to add a BROEN-Gear for DN100-125.



DN	BROEN No.	Bore	Kvs	net Weight kg	All dimensions in mm								
					DH	D	L	H1	H2	ds	i	A	ISO
65	9410316065 010	65	498	13.2	127	185	290	66	155	18	31	275	-
80	9410316080 010	80	754	18.6	152	200	280	81	192	24	40	365	-
100	9410316100 010	100	1159	21.4	178	220	300	91	218	24	40	365	-
125	9410316125 010	125	1841	35.0	219	250	325	90	248	30	55	650	-

## Steel ball valve - DN65-125, PN16

Type 94103 - Full bore



Technical drawing		Material description	
	1	Welding	Steel - P235GH / 1.0345 / EN 10217-2
	2	Flange	Steel - S235JRG2 / 1.0038 / EN 10025-2
	5	Valve body	Steel - P235GH / 1.0345 / EN 10217-2
	6	Ball	Stainless steel - AISI304L / 1.4306 / EN 10217-7
	7	Seat ring	PTFE 20% Carbon
	8	Back-up ring	Steel - DC01 / 1.0330 / EN 10130
	9	Disc spring	Steel - C75S / 1.1248 / EN 10132-4
	11	Stem guide	Steel - S355J2+N / 1.0570 / EN 10025-2
	12	Stem	Stainless steel - ASTM420 / 1.4021 / EN 10088-3
	13	Stem washer	Stainless steel - AISI304 / 1.4301 / EN 10088-3
	14	Friction washer	PTFE 20% Carbon
	15	O-ring	Rubber - EPDM70
	17	O-ring	Rubber - FPM70
	18	Intermediate ring	Stainless steel - AISI303 / 1.4305 / EN 10088-3
	19	Pin	Steel - hardenat
	20	Handle	Steel
	22	Bearing	Steel - PTFE
	23	ISO-flange	Steel - S235JRG2 / 1.0038 / EN 10025-2
	24	Pin	Steel - hardenat
	25	Friction gasket	PTFE 20% Carbon
30	Circlip	Steel	

Accessories	BROEN No.	Dimension	Description
	600584	DN100	BROEN-Gear.
	600585	DN125	
	167245	DN65	ISO-flange.
	169245	DN80	
	66160065 000	DN65	Hexagon for insertion key.
	66164100 000	DN80	
	66161100 000	DN100	
	66161150 000	DN125	

Special model: Minimum length - Flange x Flange - DN65-125:

DN	Standard length - mm	Minimum length - mm
65	270	206
80	280	224
100	300	244
125	325	272