

Steel ball valve - DN15-50, PN40

Type 94103 - Full bore

Flange × Flange

Fully welded steel ball valve.

Materials

See next page.

Applications

Isolating valve for heating systems, district heating, cooling and industrial purpose.

Media

Water, air and other media not decomposing the steel. Not suitable for steam. If in doubt, please contact BROEN BALLOMAX® Sales Department.

Surface treatment

Eco-friendly protection finish against corrosion.

Operation

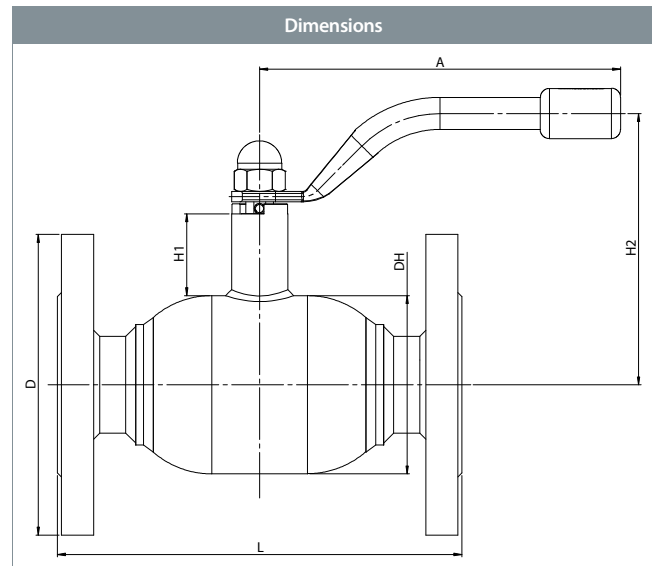
The standard handle is 180 degrees adjustable.

Approvals and certificates

BROEN is certified according to ISO 9001 and environmentally certified according to ISO 14001. BROEN BALLOMAX® is approved according to the requirements of Pressure Equipment Directive (PED). All ball valves as from DN40 are CE-marked. The 3.1 certificate is available upon request.

Notice

Other lengths and special flanges available on request.



| DN | BROEN No. | Bore | Kvs | net Weight kg | All dimensions in mm | | | | | |
|----|----------------|------|-----|---------------|----------------------|-----|-----|----|-----|-----|
| | | | | | DH | D | L | H1 | H2 | A |
| 15 | 9410340015 010 | 15 | 32 | 1.9 | 42 | 95 | 130 | 47 | 115 | 140 |
| 20 | 9410340020 010 | 20 | 57 | 2.7 | 51 | 105 | 150 | 47 | 120 | 140 |
| 25 | 9410340025 010 | 25 | 81 | 3.5 | 57 | 115 | 160 | 48 | 124 | 140 |
| 32 | 9410340032 010 | 32 | 133 | 5.5 | 76 | 140 | 180 | 41 | 127 | 180 |
| 40 | 9410340040 010 | 40 | 229 | 6.8 | 89 | 150 | 200 | 41 | 133 | 180 |
| 50 | 9410340050 010 | 50 | 295 | 9.3 | 108 | 165 | 230 | 66 | 145 | 275 |

Steel ball valve - DN15-50, PN40



Type 94103 - Full bore

| Technical drawing | | Material description | |
|-------------------|-------------|--------------------------------------|--|
| | 2 | Flange | Steel - S235JRG2 / 1.0038 / EN 10025-2 |
| | 5 | Valve body | Steel - P235GH / 1.0345 / EN 10217-2 |
| | 6 | Ball | Stainless steel - AISI304L / 1.4306 / EN 10217-7 |
| | 7 | Seat ring | PTFE 20% Carbon |
| | 8 | Back-up ring | Steel - DC01 / 1.0330 / EN 10130 |
| | 10 | Neck ring | Steel - S355J2+N / 1.0570 / EN 10025-2 |
| | 11 | Stem guide | Steel - S355J2+N / 1.0570 / EN 10025-2 |
| | 12 | Stem | Stainless steel - ASTM420 / 1.4021 / EN 10088-3 |
| | 13 | Stem washer | Stainless steel - AISI304 / 1.4301 / EN 10088-3 |
| | 14 | Friction washer | PTFE 20% Carbon |
| | 15 | O-ring | Rubber - EPDM70 |
| | 16 | Back-up ring | PTFE 20% Carbon |
| | 17 | O-ring | Rubber - FPM70 |
| | 18 | Intermediate ring | Stainless steel - AISI303 / 1.4305 / EN 10088-3 |
| 19 | Pin | Steel - hardenat | |
| 20 | Handle | Steel | |
| 21 | Cap nut | Steel - galvanized | |
| 34 | Middle bush | Steel - P235GH / 1.0345 / EN 10217-2 | |

| Accessories | BROEN No. | Dimension | Description |
|-------------|-----------------------|-----------|---|
| | 66050010 000 - yellow | DN20-25 | T-handles in three different colors - yellow, blue and red. Factory fitted T-handle on request. |
| | 66050010 003 - blue | | |
| | 66050010 004 - red | | |
| | 66050040 000 - yellow | DN32-40 | |
| | 66050040 003 - blue | | |
| | 66050040 004 - red | | |
| | 203245 | DN20-25 | ISO-flange. |
| | 208245 | DN32-40 | |
| | 167245 | DN50 | |
| | 66160010 000 | DN20-25 | Hexagon for insertion key. |
| | 66160040 000 | DN32-40 | |
| | 66160065 000 | DN50 | |

Special model: Minimum length - Flange x Flange - DN15-50:

| DN | Standard length - mm | Minimum length - mm |
|----|----------------------|---------------------|
| 15 | 130 | On request |
| 20 | 150 | 118 |
| 25 | 160 | 130 |
| 32 | 180 | 135 |
| 40 | 200 | 150 |
| 50 | 230 | 165 |