

# Steel ball valve - DN250-500, PN25

## Type 85004 - Reduced bore

### Flange × Flange with low stem and BROEN-Gear

Fully welded steel ball valve.

### Materials

See next page.

### Applications

Isolating valve for heating systems, district heating, cooling and industrial purpose.

### Media

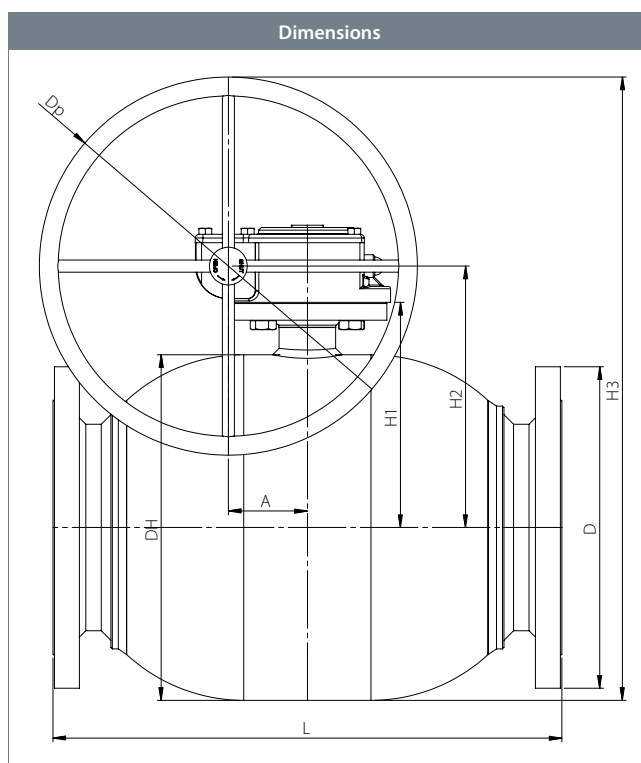
Water, air and other media not decomposing the steel. Not suitable for steam. If in doubt, please contact BROEN Ballomax® Sales Department.

### Surface treatment

Eco-friendly protection finish against corrosion.

### Approvals and certificates

BROEN is certified according to ISO 9001 and environmentally certified according to ISO 14001. BROEN Ballomax® is approved according to the requirements of Pressure Equipment Directive (PED). All ball valves as from DN40 are CE-marked. The 3.1 certificate is available upon request.



DN	BROEN No.	Bore	Kvs	net Weight kg	All dimensions in mm								
					DH	D	t	L	H1	H2	H3	Dp	A
250	8500425250 480	200	3200	107.2	356	405	-	533	60.2	275	500.0	450	68.8
300	8500425300 480	250	4700	147.0	457	460	-	610	69.2	346	596.0	500	104.5
350	8500425350 480	250	5500	183.7	457	520	-	686	69.2	346	596.0	500	104.5
400	8500425400 480*	305	10600	306.1	508	620	-	762	82.5	387	566.5	350	130.0
500	8500425500 480*	400	18150	603.1	660	730	-	914	105.0	494	719.0	450	182.0

\* DN400-500 - with ball flow guide.

## Steel ball valve - DN250-500, PN25

Type 85004 - Reduced bore

Technical drawing		Material description	
	2	Flange	Steel - S235JRG2 / 1.0038 / EN 10025-2
	5	Valve body	Steel - P235GH / 1.0345 / EN 10217-2
	6	Ball	Stainless steel - AISI304L / 1.4306 / EN 10217-7
	7	Seat ring	PTFE 20% Carbon
	12	Stem	Stainless steel - ASTM420 / 1.4021 / EN 10088-3
	15	O-ring	Rubber - EPDM70
	23	ISO-flange	Steel - S235JRG2 / 1.0038 / EN 10025-2
	27	O-ring	Rubber - EPDM70
	48	Stem guide	Steel - P235GH / 1.0345 / EN 10216-2
	50	Friction ring	Gunmetal
	51	Bottom end	Steel - S355J2H - EN 10210
	52	Back-up ring	Steel - S355J2H - EN 10210
	53	Springs	Stainless steel - AISI304 / 1.4301 / EN 10088-3