

Steel ball valve - DN125-200, PN16

Type 61103 - Reduced bore

Flange × Flange with ISO-flange and BROEN-Gear

Fully welded steel ball valve.

Materials

See next page.

Applications

Isolating valve for heating systems, district heating, cooling and industrial purpose.

Media

Water, air and other media not decomposing the steel. Not suitable for steam. If in doubt, please contact BROEN Ballomax® Sales Department.

Surface treatment

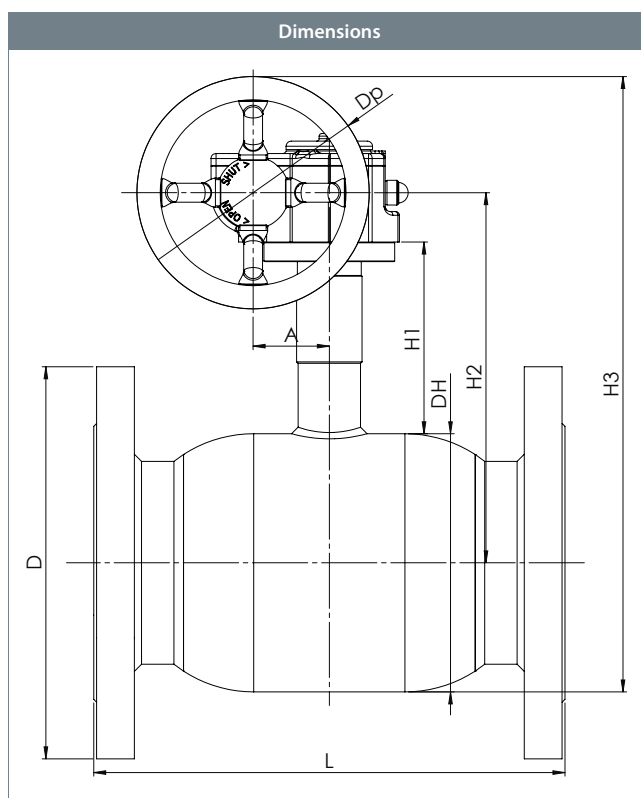
Eco-friendly protection finish against corrosion.

Approvals and certificates

BROEN is certified according to ISO 9001 and environmentally certified according to ISO 14001. BROEN Ballomax® is approved according to the requirements of Pressure Equipment Directive (PED). All ball valves as from DN40 are CE-marked. The 3.1 certificate is available upon request.

Notice

Other pressure levels, lengths and special flanges available on request.



DN	BROEN No.	Bore	Kvs	net Weight kg	All dimensions in mm							
					DH	D	L	H1	H2	H3	Dp	A
125	6110316125 480	100	699	29.7	178	250	325	132	221	424	160	53
150	6110316150 480	125	1046	46.8	219	285	350	135	245	522	250	69
200	6110316200 480	150	1500	69.7	267	340	400	155	289	590	250	69

Steel ball valve - DN125-200, PN16

Type 61103 - Reduced bore

Technical drawing		Material description	
	1	Welding	Steel - P235GH / 1.0345 / EN 10217-2
	2	Flange	Steel - S235JRG2 / 1.0038 / EN 10025-2
	5	Valve body	Steel - P235GH / 1.0345 / EN 10217-2
	6	Ball	Stainless steel - AISI304L / 1.4306 / EN 10217-7
	7	Seat ring	PTFE 20% Carbon
	8	Back-up ring	Steel - DC01 / 1.0330 / EN 10130
	9	Disc spring	Steel - C75S / 1.1248 / EN 10132-4
	11	Stem guide	Steel - S355J2+N / 1.0570 / EN 10025-2
	12	Stem	Stainless steel - ASTM420 / 1.4021 / EN 10088-3
	13	Stem washer	Stainless steel - AISI304 / 1.4301 / EN 10088-3
	14	Friction washer	PTFE 20% Carbon
	15	O-ring	Rubber - EPDM70
	16	Back-up ring	PTFE 20% Carbon
	17	O-ring	Rubber - FPM70
18	Intermediate ring	Stainless steel - AISI303 / 1.4305 / EN 10088-3	
22	Bearing	Steel - PTFE	
23	ISO-flange	Steel - S235JRG2 / 1.0038 / EN 10025-2	
47	Gear	-	

Special model: Minimum length - Flange x Flange - DN125-200:

DN	Standard length - mm	Minimum length - mm
125	325	272
150	350	300
200	400	385

Steel ball valve - DN250-500, PN16

Type 85004 - Reduced bore

Flange × Flange with low stem and BROEN-Gear

Fully welded steel ball valve.

Materials

See next page.

Applications

Isolating valve for heating systems, district heating, cooling and industrial purpose.

Media

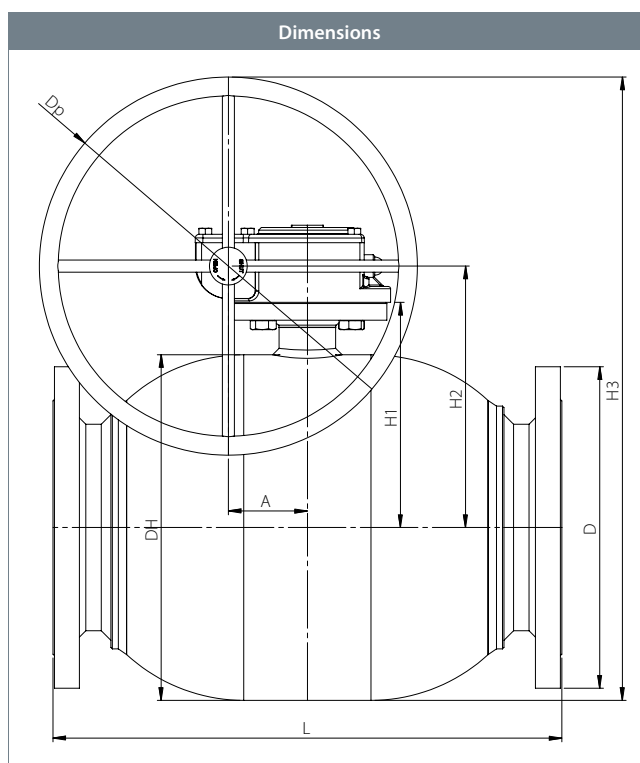
Water, air and other media not decomposing the steel. Not suitable for steam. If in doubt, please contact BROEN Ballomax® Sales Department.

Surface treatment

Eco-friendly protection finish against corrosion.

Approvals and certificates

BROEN is certified according to ISO 9001 and environmentally certified according to ISO 14001. BROEN Ballomax® is approved according to the requirements of Pressure Equipment Directive (PED). All ball valves as from DN40 are CE-marked. The 3.1 certificate is available upon request.



DN	BROEN No.	Bore	Kvs	net Weight kg	All dimensions in mm								
					DH	D	t	L	H1	H2	H3	Dp	A
250	8500416250 480	200	3200	94.9	356	405	-	533	60.2	275	500.0	450	68.8
300	8500416300 480	250	4700	147.0	457	460	-	610	69.2	346	596.0	500	104.5
350	8500416350 480	250	5500	183.7	457	520	-	686	69.2	346	596.0	500	104.5
400	8500416400 480	305	10600	302.8	508	620	-	762	82.5	387	566.5	350	130.0
500	8500416500 480	400	18150	597.5	660	730	-	914	105.0	494	719.0	450	182.0

Steel ball valve - DN250-500, PN16

Type 85004 - Reduced bore

Technical drawing		Material description	
	2	Flange	Steel - S235JRG2 / 1.0038 / EN 10025-2
	5	Valve body	Steel - P235GH / 1.0345 / EN 10217-2
	6	Ball	Stainless steel - AISI304L / 1.4306 / EN 10217-7
	7	Seat ring	PTFE 20% Carbon
	12	Stem	Stainless steel - ASTM420 / 1.4021 / EN 10088-3
	15	O-ring	Rubber - EPDM70
	23	ISO-flange	Steel - S235JRG2 / 1.0038 / EN 10025-2
	27	O-ring	Rubber - EPDM70
	48	Stem guide	Steel - P235GH / 1.0345 / EN 10216-2
	50	Friction ring	Gunmetal
	51	Bottom end	Steel - S355J2H - EN 10210
	52	Back-up ring	Steel - S355J2H - EN 10210
	53	Springs	Stainless steel - AISI304 / 1.4301 / EN 10088-3