

# RESILIENT SEAT GATE VALVE DUCTILE IRON BODY

TECHNICAL PASSPORT

## RESILIENT SEAT GATE VALVE WITH PLANETARY GEARBOX - DUCTILE IRON BODY FLANGE CONNECTION PN10/16

VOC 4241C-08

### APPLICATION

The TECOFI resilient seat gate valve is intended for use in application such as: water supply and treatment, irrigation and sanitation.



**Fluids** : water, waste water, non-aggressive neutral liquids, etc.

### GENERAL CHARACTERISTICS

**Range** : from DN450 to DN600.

- Resilient seat gate valve for ON/OFF or control operation, with non-rising stem.
- PN10 and PN16 flange mounting.
- Body and bonnet assembled by screws protected by a molded sealing gasket.
- Wedge in ductile iron covered with a thick layer of elastomer.
- Sliders on the wedge outer face to facilitate its guiding in the body.
- Upstream-downstream tightness made reliable thanks to the enormous qualities of elasticity and rigidity of the wedge.
- At the end of closing the wedge is pressed onto the flat bottom of the valve and takes perfectly its shape. This results in the absorption of impurities contained in the fluid, such as sand, gravel, etc. From the first moment of opening, impurities or waste are returned to the fluid which evacuates them.
- Tightness of the upper part guarantees thanks to a system of O-rings placed next to each other and separated by small metal segments.
- Very economical use without the need for maintenance. Low pressure drop.
- Full bore at the end of opening. No retention zone.
- Good corrosion resistance (epoxy coating inside and outside the body) fasteners protected from external aggressions by wax coat.

### STANDARDS

<b>Design</b>	Manufacture according to standard en 1171.
<b>Face to face</b>	Face to face dimension according to EN 558 serie 14 and DIN 3202 / F4 short pattern
<b>Connection</b>	Mounting flange in accordance with EN1092-2 : ISO PN10 and ISO PN16
<b>Tests</b>	Pressure test according to standard EN12266-1
<b>Certificats</b>	Health compliance certificate (ACS) n° 21 ACC LY 015. / Certification WRAS n° 1606373

### PRODUCTS APPROVALS



Tecofi France

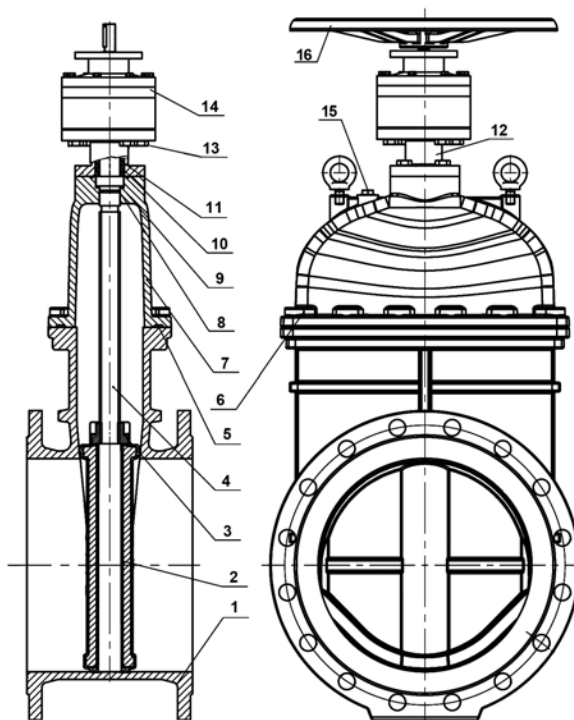


# RESILIENT SEAT GATE VALVE DUCTILE IRON BODY

## CONSTRUCTION

The valves are coated with epoxy paint on the outside and inside of the body and the bonnet to protect against corrosion.

Component	Coating
Body (1)	Epoxy powder RAL 5015 250 microns
Bonnet ( )	Epoxy liquid RAL 5015 250 microns
Bracket (12) gearbox (15) Handwheel (16)	Epoxy liquid RAL 5015 70 microns



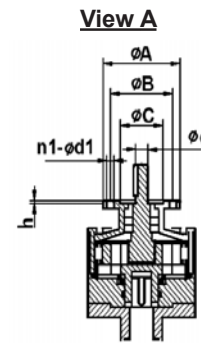
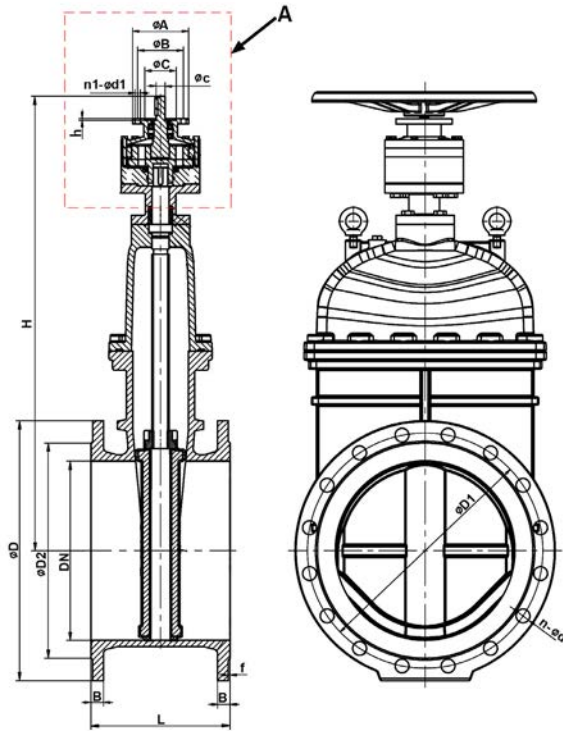
Pos.	Q-ty	Description	Matière	Equivalences		
				DIN	ASTM	BS
1	1	Body	Ductile iron EN-GJS-500-7	GGG50	A536 65-45-12	1563 EN-JS1050
2	1	Wedge	Ductile iron EN-GJS-500-7 + EPDM	GGG50	A536 65-45-12	1563 EN-JS1050
3	1	Stem nut	Brass			
4	1	Stem	Stainless steel 420	1.4021	AISI 420	420 S 37
5	1	Sealing gasket	EPDM			
6	16	Screw	Stainless steel 304			
7	1	Bonnet	Ductile iron EN-GJS-500-7	GGG50	A536 65-45-12	1563 EN-JS1050
8	1	O-ring	NBR			
9	1	Gasket	EPDM			
10	1	O-ring	NBR			
11	1	Seal ring	Stainless steel 304			
12	1	Bracket	Ductile iron EN-GJS-500-7	GGG50	A536 65-45-12	1563 EN-JS1050
13	6	Bolt	Stainless steel 304			
14	1	Planetary gearbox				
15	1	Drain plug				
16	1	Handwheel	Handwheel	Cast iron		

# RESILIENT SEAT GATE VALVE DUCTILE IRON BODY

## TECHNICAL PASSPORT

VOC 4241C-08

### DIMENSIONS



DN		ISO	ØA	ØB	ØC	ØD3	n1	Ød1	Øc	h	Torque (Nm)	Nb of turns
mm	inch											
450	18	F14	175	140	100	450	4	18	32	4	120	128
500	20	F14	175	140	100	450	4	18	32	4	120	179
600	24	F14	175	140	100	450	4	18	32	4	120	257

DN		ØD	ØD1		ØD2	l	H	L	f	n - Ød		Weight* (kg)
mm	inch		PN10	PN16						PN10	PN16	
450	18	640	565	585	548	30	1160	330	5	20 x Ø28	20 x Ø31	310
500	20	715	620	650	609	31.5	1260	350	5	20 x Ø28	20 x Ø34	400
600	24	840	725	770	720	36	1450	390	5	20 x Ø31	20 x Ø37	610

\* - Weight includes the handwheel

### WORKING CONDITIONS

Maximum working pressure : 16 bar

Maximum working temperature : +110°C

Tecofi France

