

Ref. : F3240-EP.pas

Rev. : A

Date : 20/11/2019

Page : 1/1

FLANGED TYPE "Y" STRAINER PN16

F 3240-EP

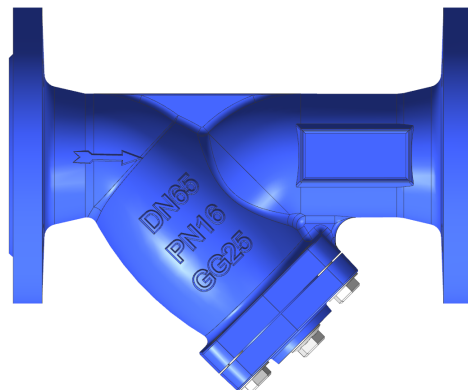


APPLICATION

Heating system and undrinkable domestic water, steam and other compatible fluids.

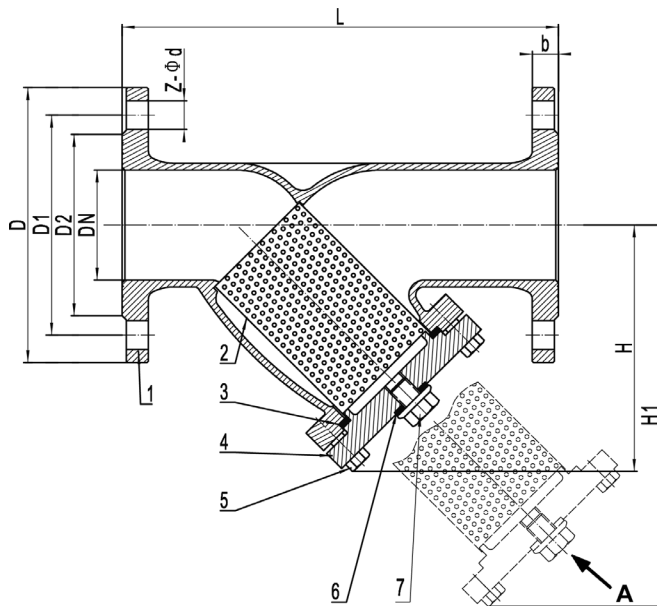
GENERAL CHARACTERISTICS

"Y" body and bonnet in cast iron from DN15 to DN300 and in ductile iron for DN350 and DN450.
Dismountable stainless steel screen.
Drain plug G1/2 (DN15-100); G3/4 (DN125-400)
Flanged ends PN 16.



CONSTRUCTION

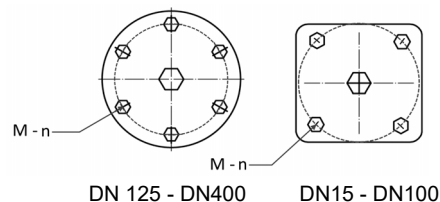
7	1	Drain plug	Stainless Steel 304	
6	1	Gasket	EPDM Chaleur	
5	**	Screw	Stainless Steel 304	
4	1	Bonnet	Cast iron EN-GJL-250 (DN15-300)	
			Ductile iron EN-GJS-500 (DN350-400)	
3	1	Gasket	EPDM	
2	1	Screen	Stainless steel 304	DIN: X5CrNi18 10
			X5CrNi 18-10	ASTM: A 182 AISI 304 BS: 1449-2 304 S15
1	1	Body	Cast iron EN-GJL-250 (DN15-300)	
			Ductile iron EN-GJS-500 (DN350-400)	
Pos.	Q-ty	Description	Material	



DIMENSIONS

DN	L	ØD	ØD1	ØD2	b	M	n	Z	Ød	H	H1	Weight (kg)	Mesh (mm)
15	130	95	65	45	14	M8-20	4	4	14	68	105	2,4	1
20	150	105	75	58	16	M8-20	4	4	14	78	118	2,9	
25	160	115	85	68	16	M8-25	4	4	14	85	130	3,7	
32	180	140	100	78	18	M8-25	4	4	18	104	154	5,2	
40	200	150	110	88	18	M10-30	4	4	18	106	169	6,1	
50	230	165	125	102	18	M10-35	4	4	18	124	199	8,6	1,3
65	290	185	145	122	18	M10-35	4	4	18	147	237	13	
80	310	200	160	138	22	M12-40	4	8	18	161	260	14,8	
100	350	220	180	158	22	M12-45	4	8	18	193	321	19,8	
125	400	250	210	188	26	M16-45	6	8	18	257	410	29,9	
150	480	285	240	212	26	M16-50	6	8	23	291	466	41,7	1,6
200	600	340	295	268	30	M16-50	8	12	23	357	570	73	
250	730	405	355	320	32	M16-50	8	12	23	443	666	132	
300	850	460	410	378	32	M16-50	10	12	27	516	786	183	
350	980	520	470	438	27	M16-60	12	16	27	565	915	250	
400	1100	580	525	490	32	M16-60	14	16	30	635	1041	360	

VIEW A



WORKING CONDITIONS

Maximum working pressure :16 bar .
Maximum temperature: -15°C / +140°C

Pressure test according to standards
EN 12266-1, DIN 3230, BS 5154 and ISO 5208 :
Body : 24 bar.

STANDARDS

Face to face according to standards EN 558-1 serie 1 and DIN 3202/1 serie F1.
Flanges drilled according to EN 1092-2 PN16.

