

BUTTERFLY VALVE TECFLON WITH GEAR BOX

TECHNICAL PASSPORT

BUTTERFLY VALVE TECFLON- DUCTILE IRON BODY WITH GEAR BOX - BETWEEN FLANGES

VP4449-08PTFE

APPLICATION

TECFLON butterfly valves are intended for ON/OFF or control use in fluid transfer circuits.

- **Area of use:** ingeneering, chemical and petrochemical industry, sewage treatment plants.



- **Fluids :** waste water, liquid waste, corrosive products, hydrocarbons, etc.
«Not suitable for steam application»

GENERAL CHARACTERISTICS

Range : from DN125 to DN300.

- Type with smooth ears
- Sealing in both directions of circulation of the piping.
- PTFE sleeve with viton backup pad.
- Extended neck compatible with pipe lapping
- Stainless steel disc profiled and reduced in thickness
- Reduced maneuvering torque.
- Reduced head losses.

Operated by manual gear box.



STANDARDS

Design	Manufacture according to the requirements of the European directive 2014/68/UE «Equipment under pressure»: modulate H.
Face to face	Face to face according to standards NF EN 558-1 série 20, ISO 5272 série 20, DIN 3202.
Connection	Mounting between flanges ISO PN10/16 from DN125 to DN150 and PN10 from DN200 to DN300 according to EN1092-2, BS450,AISI B16.1-5. Adjustable between flanges ASME B16.5 Classe 150.
Tests	Pressure test according to standards EN12266-1, DIN 3230, BS 5154 and ISO 5208: -Body : WP x 1.5 bar -Seat : WP x 1.1 bar

PRODUCT APPROVALS



Tecofi France

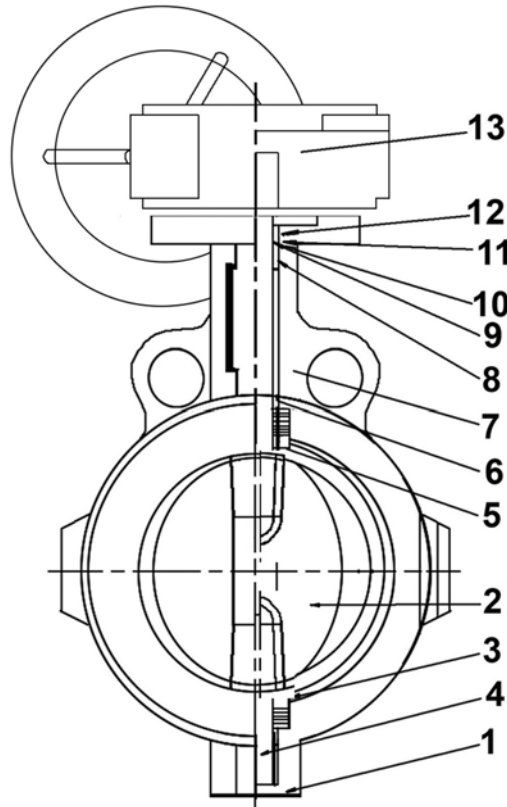


BUTTERFLY VALVE TECFLON WITH GEAR BOX

TECHNICAL PASSPORT

VP4449-08PTFE

CONSTRUCTION



Oven backed epoxy coated body RAL 5019 thickness 250μ

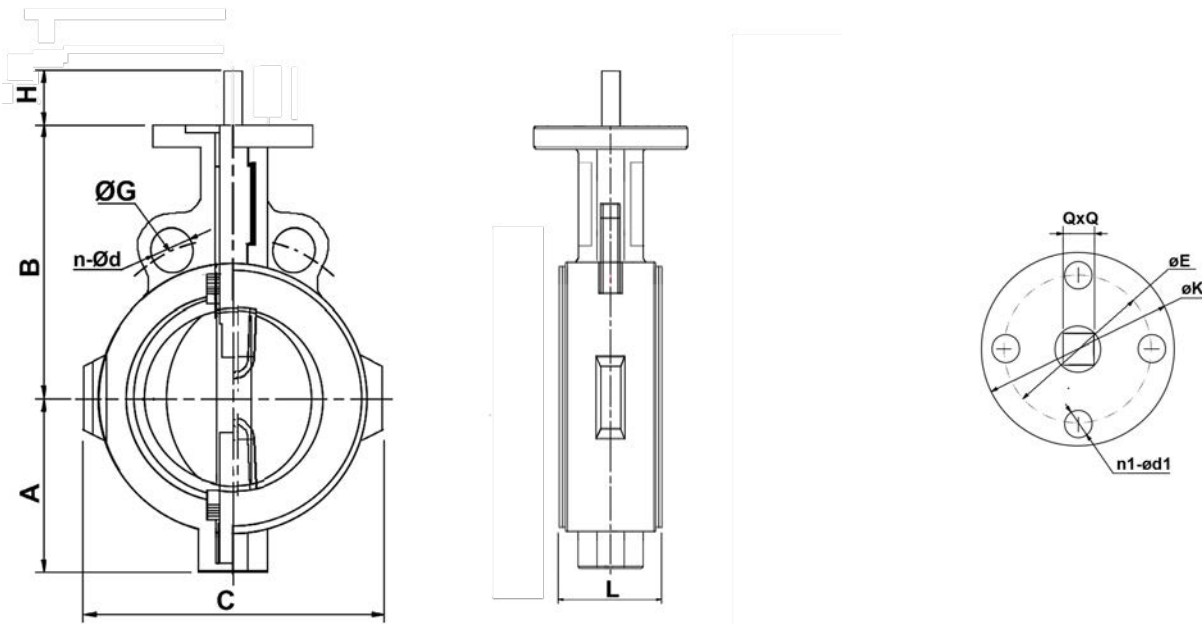
Pos.	Description	Material	Equivalences		
			DIN	ASTM	BS
1	Body	Ductile iron EN-GJS-500-7	GGG50	A536 65-70-50-05	1563 EN-JS1050
2	Disc	Stainless steel CF8M			
3	Sleeve	PTFE + FPM (Viton®)			
4	Stem	Stainless steel 316			
5	Joint	FRP (Fiber reinforced plastic)			
6	Bushing	FRP (Fiber reinforced plastic)			
7	Body	Ductile iron EN-GJS-500-7	GGG50	A536 65-70-50-05	1563 EN-JS1050
8	Bushing	FRP (Fiber reinforced plastic)			
9	Ring	Steel			
10	Stem circlip	Steel			
11	Ring	Steel			
12	Circlip	Steel			
13	Gear box				

BUTTERFLY VALVE TECFLON WITH GEAR BOX

TECHNICAL PASSPORT

VP4449-08PTFE

DIMENSIONS



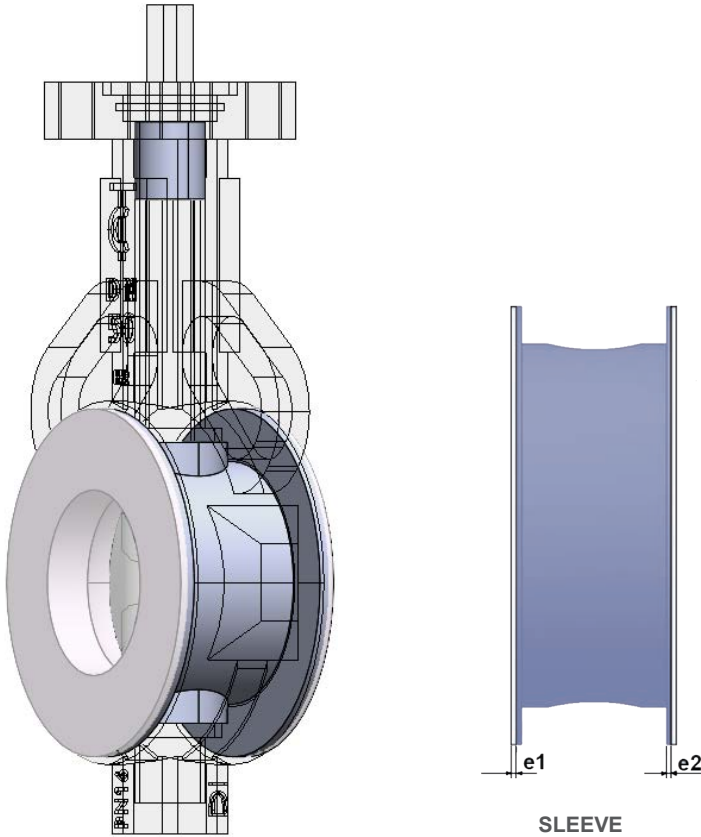
DN		A	B	C	L	H	Embase				ØG	n-Ød	Q	Torque Nm	Weight (kg)
mm	inch						ISO	K	E	n1-Ød1					
125	5	122	180	202	59	32	F07	90	70	4-Ø10	210	8-Ø19	14	110	10.93
150	6	134	186	231	59	32	F07	90	70	4-Ø10	240	8-Ø22	14	150	11.8
200	8	165	234	283.5	63	32	F10	125	102	4-Ø12	295	8-Ø22	17	300	19.8
250	10	194	273	340	76	45	F10	125	102	4-Ø12	355	12-Ø22	22	400	28
300	12	224	302	396	81	45	F10	125	102	4-Ø12	410	12-Ø22	22	550	42.6

BUTTERFLY VALVE TECFLON WITH GEAR BOX

TECHNICAL PASSPORT

VP4449-08PTFE

DIMENSIONS



SLEEVE

DN		PTFE thickness e1	Viton thickness e2	Maximum possible vacuum (kPa)	KVs (m ³ /h)
mm	inch				
125	5	2.4	2.6	30	1000
150	6	2.4	2.6	30	1500
200	8	2.4	2.6	20	3000
250	10	3	3	10	5200
300	12	3	3	10	8180

WORKING CONDITIONS

Maximum working pressure : 16 bar from DN125 to DN150
10 bar from DN200 to DN300

Maximum working temperature : -20°C / +190°C

Tecofi France

