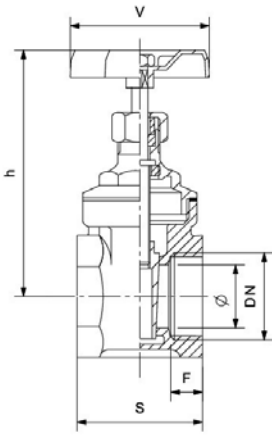




## RIV 2000

Gate valve F/F  
 standard bore - steel handwheel

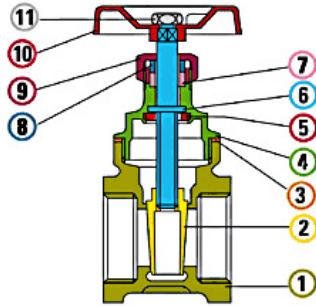
### Tech drawings and tables



| DN    | Code         | Ø  | h   | S  | F  | V  | PN | KG    | P/box |
|-------|--------------|----|-----|----|----|----|----|-------|-------|
| 1/4"  | 032000000002 | 13 | 67  | 33 | 8  | 45 | 10 | 0,176 | 20    |
| 3/8"  | 032000000003 | 13 | 67  | 33 | 8  | 45 | 10 | 0,158 | 20    |
| 1/2"  | 032000000004 | 14 | 70  | 35 | 9  | 45 | 10 | 0,160 | 20    |
| 3/4"  | 032000000005 | 15 | 70  | 40 | 9  | 45 | 10 | 0,186 | 20    |
| 1"    | 032000000007 | 19 | 80  | 43 | 10 | 50 | 10 | 0,268 | 20    |
| 1"1/4 | 032000000008 | 27 | 88  | 48 | 10 | 55 | 10 | 0,387 | 10    |
| 1"1/2 | 032000000009 | 33 | 105 | 53 | 11 | 60 | 10 | 0,567 | 10    |
| 2"    | 032000000011 | 45 | 134 | 58 | 12 | 70 | 10 | 0,836 | 5     |

## Technical data

Art. 2000



### Materials

|    |              |       |        |             |
|----|--------------|-------|--------|-------------|
| 1  | Body         | Brass | CW617N |             |
| 2  | Wedge        | Brass | CB754S |             |
| 3  | Gasket       | Fibre |        |             |
| 4  | Bonnet       | Brass | CW617N |             |
| 5  | Screwed ring | Brass | CW614N |             |
| 6  | Stem         | Brass | CW614N |             |
| 7  | Tow packing  | EPDM  |        |             |
| 8  | Stuffing-Box | Brass | CW614N |             |
| 9  | Cap          | Brass | CW614N |             |
| 10 | Handwheel    | Steel |        | Painted     |
| 11 | Nut          | Steel |        | Zinc-plated |

### Connections

ISO 228/1

### Limit

-10°C (without liquid) +80°C

### Notes

The max. working pressure (PN) means at a room temperature of about 23°C.