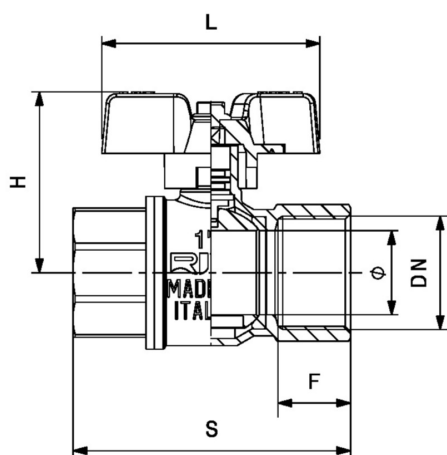


RIV 7104

Valvola a sfera F/F
 passaggio totale
 maniglia a farfalla sigillabile
 alluminio

>> Чертежи и таблицы



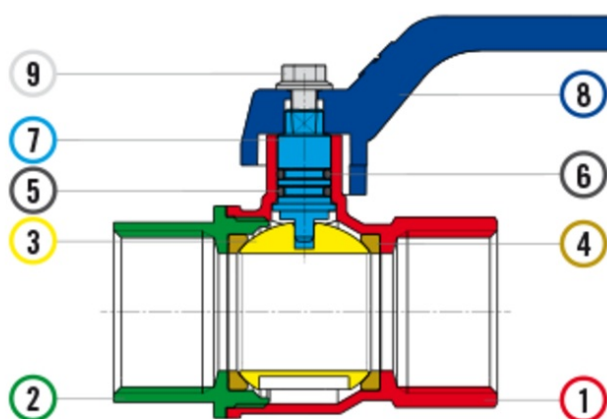
| DN | Код | Ø | F | H | L | S | PN | KG | P/box |
|------|--------------|------|------|----|----|----|----|-------|-------|
| 1/2" | 077104000004 | 14,5 | 16,5 | 41 | 52 | 56 | 40 | 0,151 | 30 |
| 3/4" | 077104000005 | 19 | 17,5 | 48 | 60 | 65 | 32 | 0,251 | 10 |
| 1" | 077104000007 | 24 | 20,5 | 51 | 60 | 79 | 32 | 0,394 | 10 |

>> Сертификаты



>> Технические данные

RIV7101

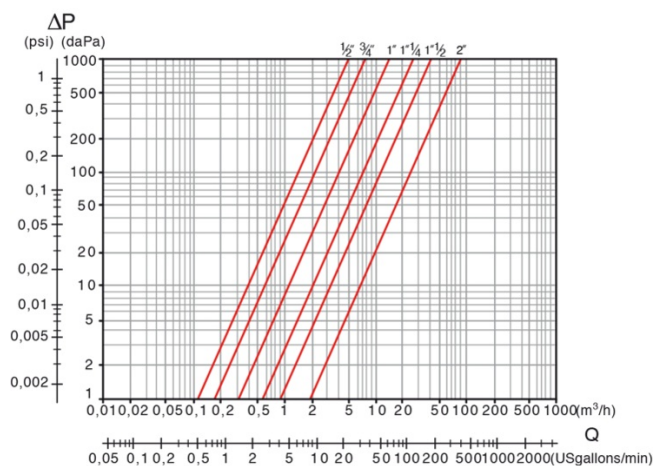


| Materiali | | | | |
|-----------|-----------|-----------|--------|-----------|
| 1 | Corpo | Ottone | CW617N | Nichelato |
| 2 | Manicotto | Ottone | CW617N | Nichelato |
| 3 | Sfera | Ottone | CW617N | Cromata |
| 4 | Sedi | P.T.F.E. | | |
| 5 | O-Ring | FKM | | |
| 6 | O-Ring | NBR | | |
| 7 | Asta | Ottone | CW614N | |
| 8 | Leva | Alluminio | | |
| 9 | Vite | Acciaio | | Zincata |

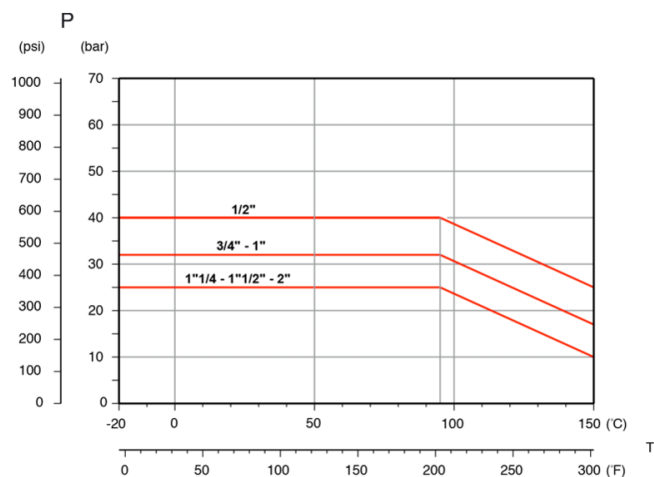
| | |
|------------|---|
| Соединения | F: EN 10226 Rp (parallelo) M: EN 10226 R (conico) |
| Предел | -20°C (in assenza di liquido) +150°C |
| Примечания | La pressione max. di utilizzo (PN) si intende a temperatura ambiente di circa 23°C. |



» График нагрузки-потери



» Давление - температура



» Коэффициенты Kv и Cv

| Размер | Kv | Cv |
|--------|-------|-------|
| 1/2" | 16,5 | 19,1 |
| 3/4" | 25,0 | 29,0 |
| 1" | 46,0 | 53,0 |
| 1"1/4 | 87,0 | 101,0 |
| 1"1/2 | 140,0 | 162,0 |
| 2" | 275,0 | 318,0 |

