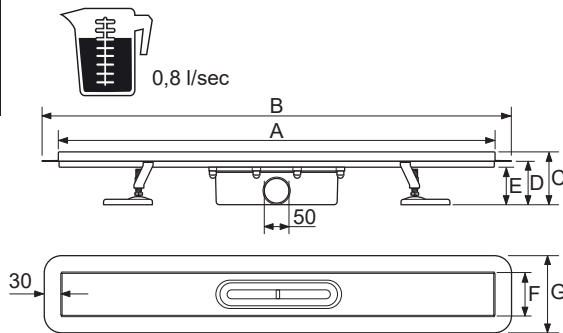
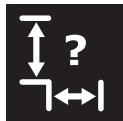
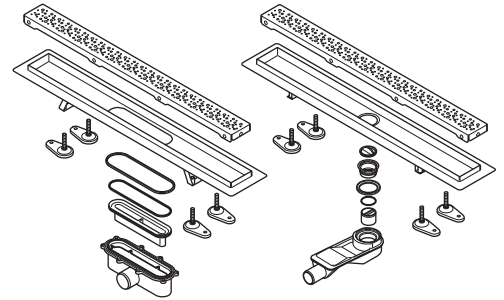
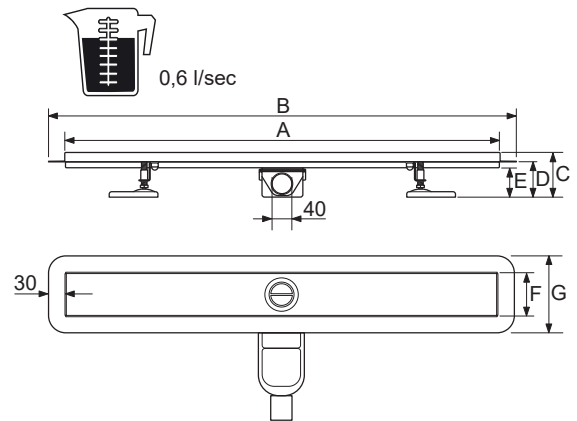


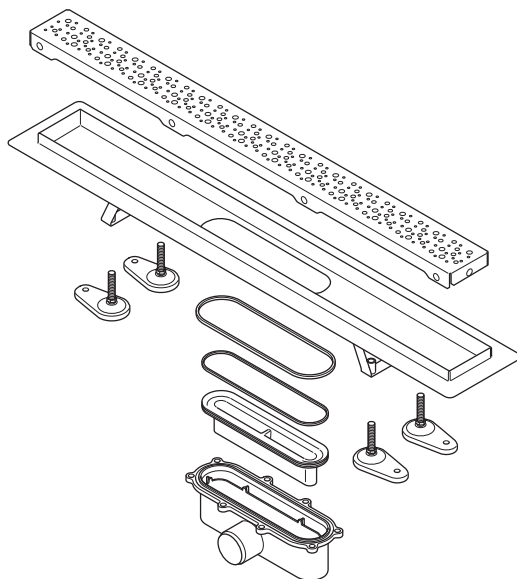
Uponor Aqua Ambient linear shower inlets



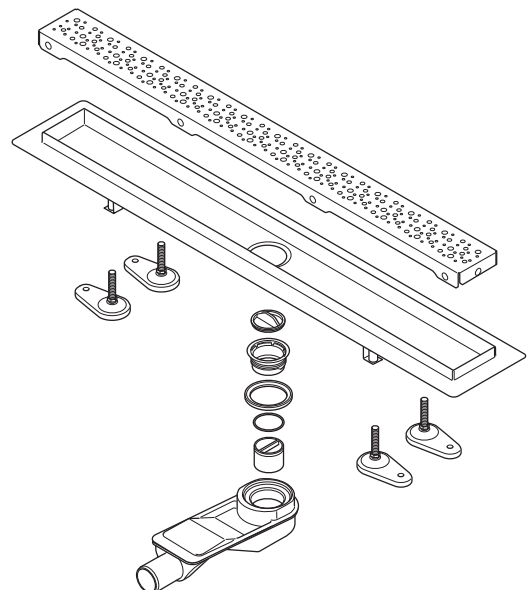
| Type | Ø | A | B | C | D | E | F | G |
|------|----|------|------|--------|--------|----|----|-----|
| 600 | 50 | 600 | 660 | 98-118 | 82-102 | 69 | 83 | 143 |
| 700 | 50 | 700 | 760 | 98-118 | 82-102 | 69 | 83 | 143 |
| 800 | 50 | 800 | 860 | 98-118 | 82-102 | 69 | 83 | 143 |
| 900 | 50 | 900 | 960 | 98-118 | 82-102 | 69 | 83 | 143 |
| 1000 | 50 | 1000 | 1060 | 98-118 | 82-102 | 69 | 83 | 143 |



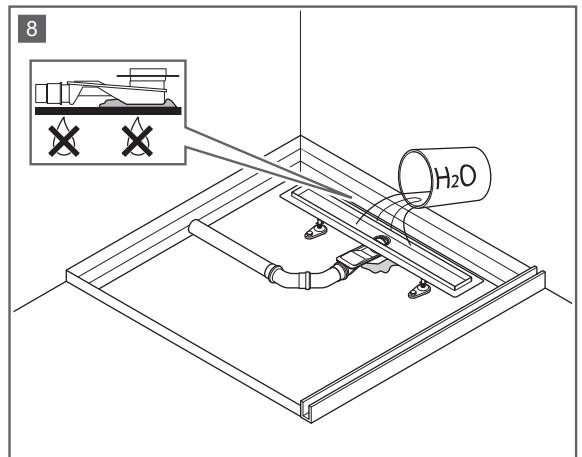
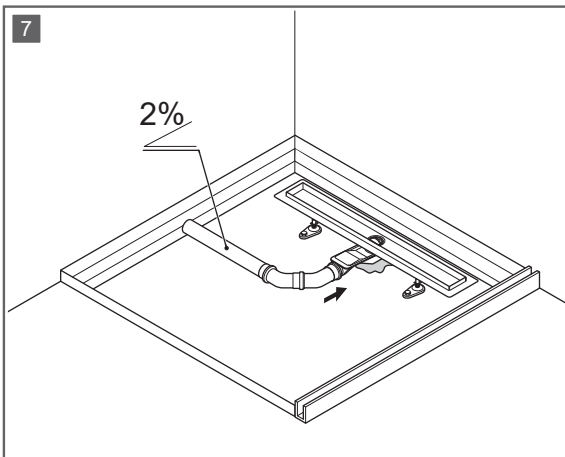
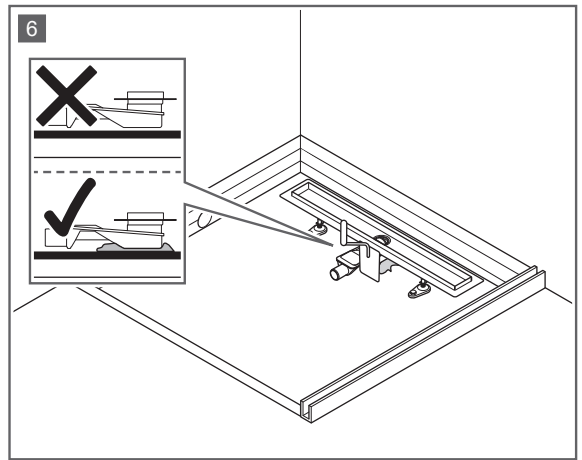
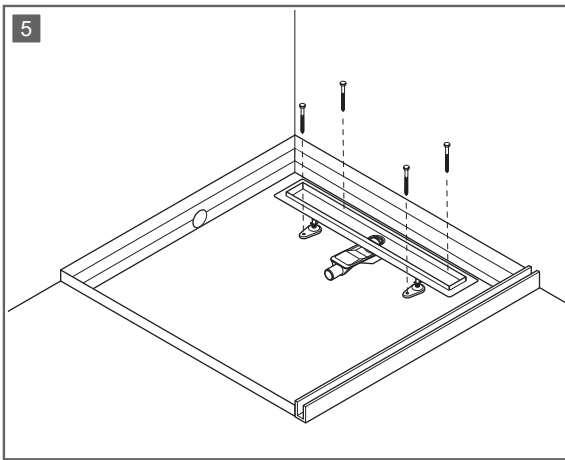
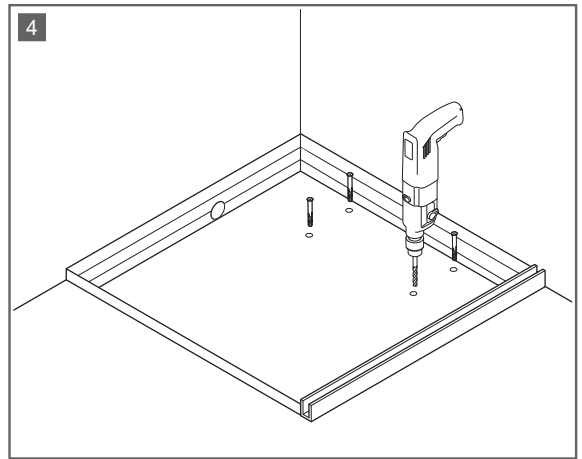
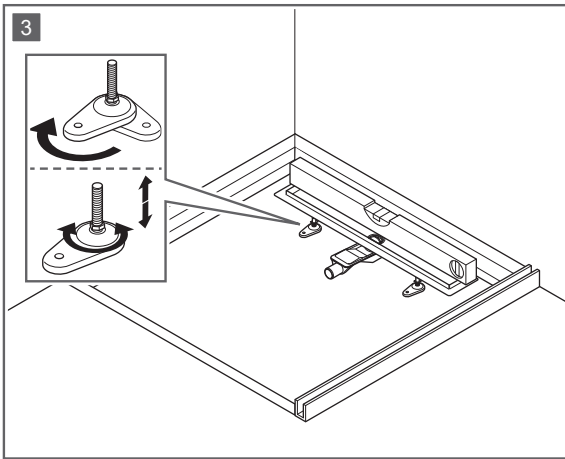
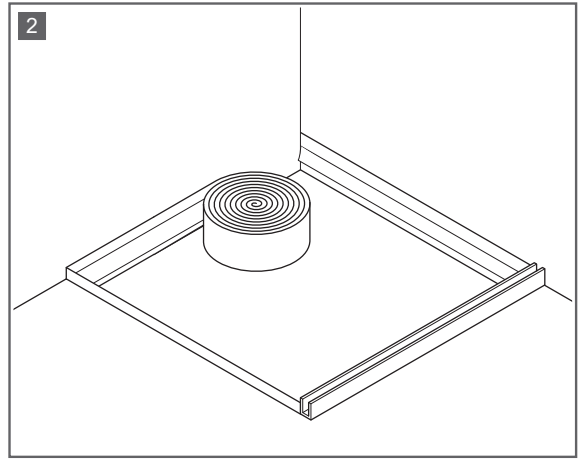
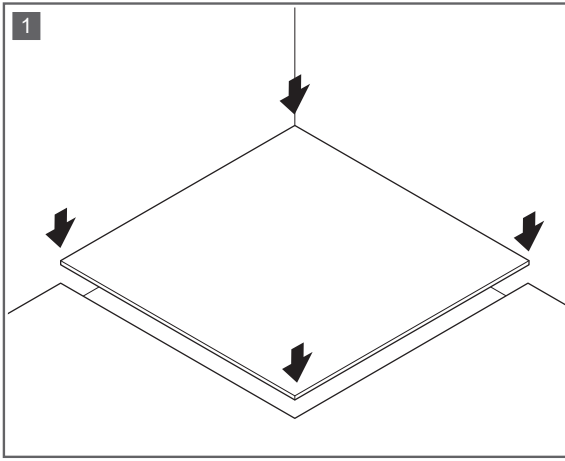
| Type | Ø | A | B | C | D | E | F | G |
|------|----|------|------|--------|-------|----|----|-----|
| 600 | 40 | 600 | 660 | 83-105 | 67-90 | 54 | 83 | 143 |
| 700 | 40 | 700 | 760 | 83-105 | 67-90 | 54 | 83 | 143 |
| 800 | 40 | 800 | 860 | 83-105 | 67-90 | 54 | 83 | 143 |
| 900 | 40 | 900 | 960 | 83-105 | 67-90 | 54 | 83 | 143 |
| 1000 | 40 | 1000 | 1060 | 83-105 | 67-90 | 54 | 83 | 143 |

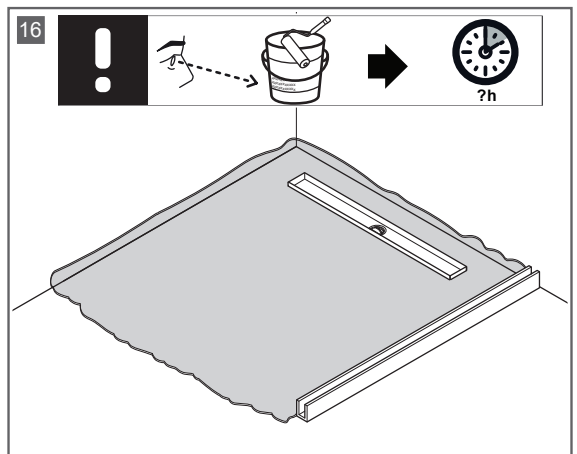
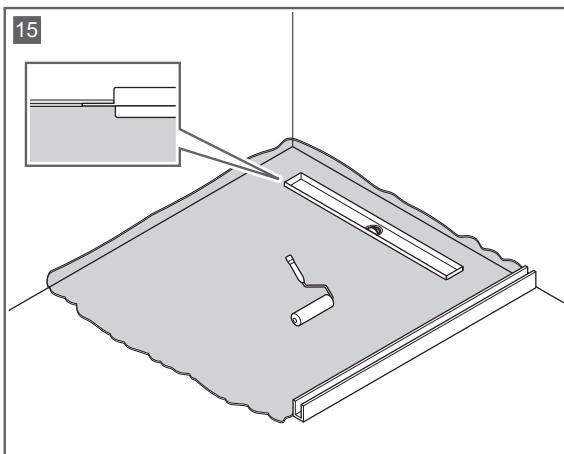
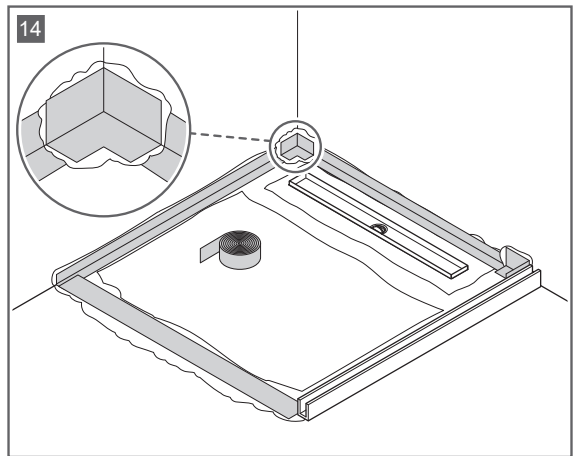
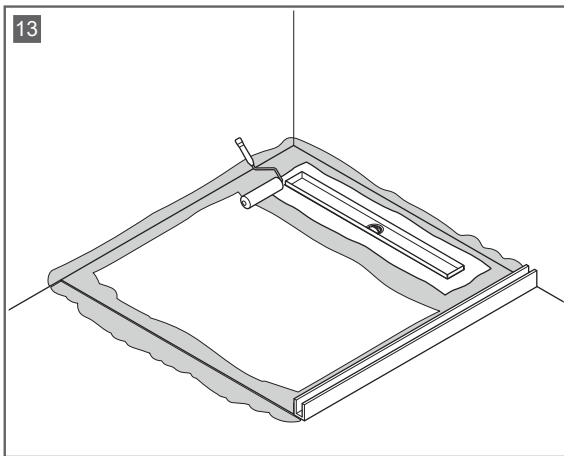
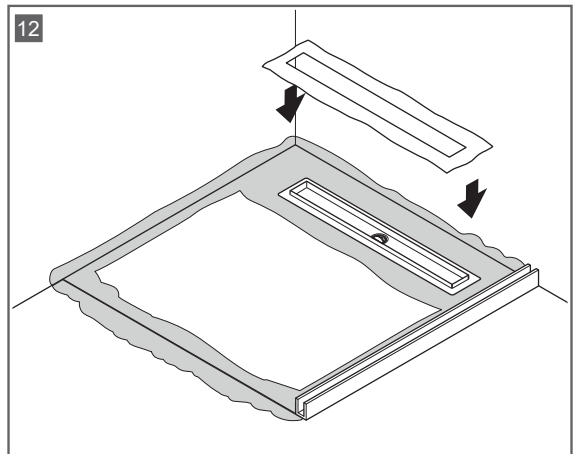
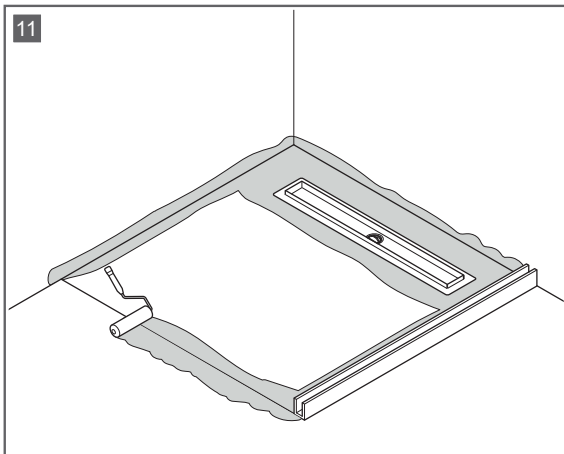
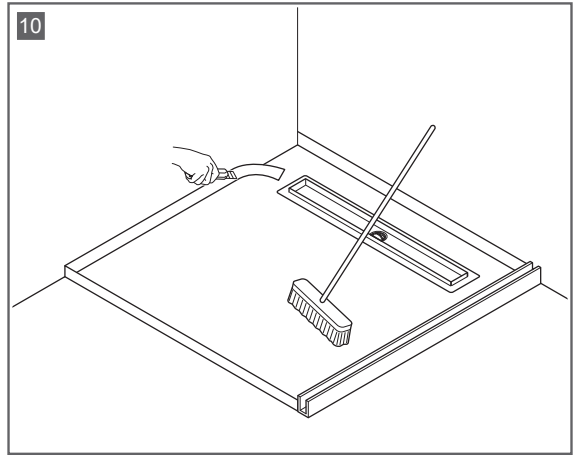
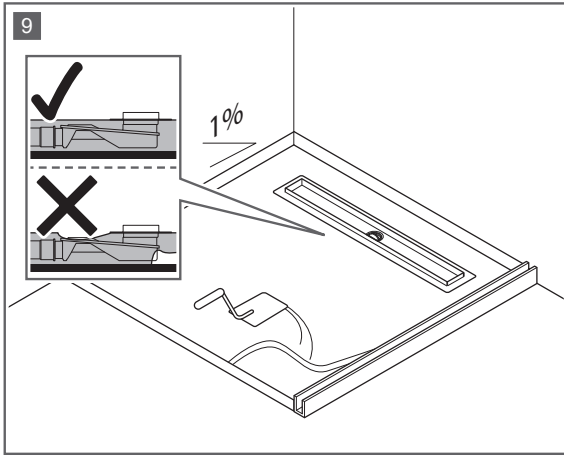


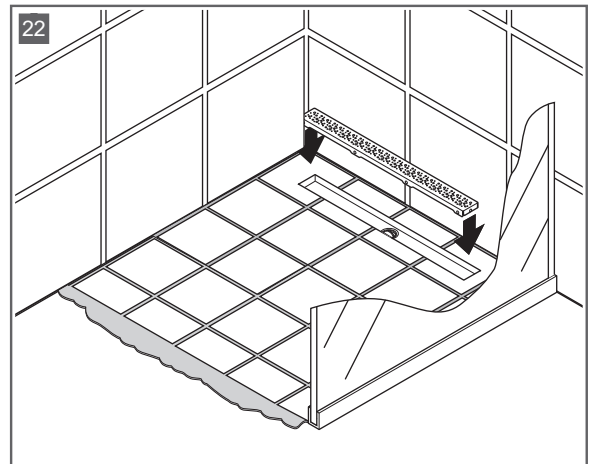
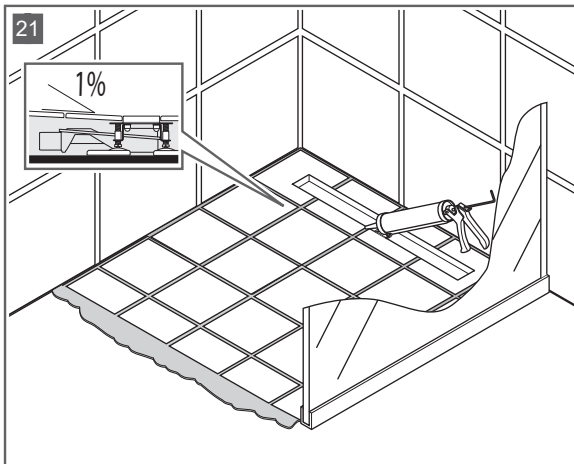
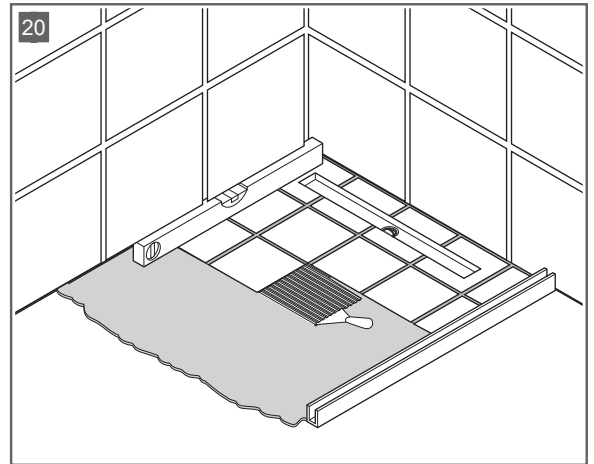
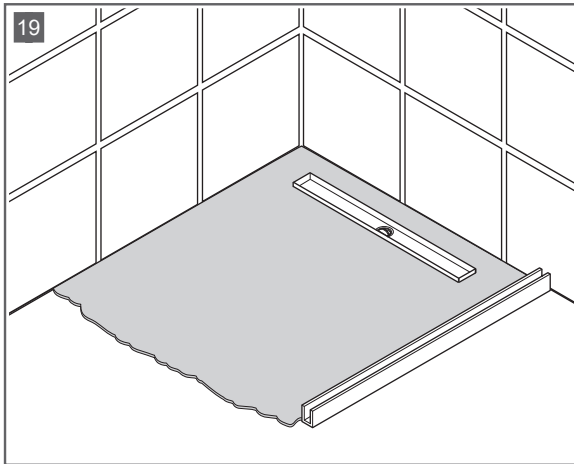
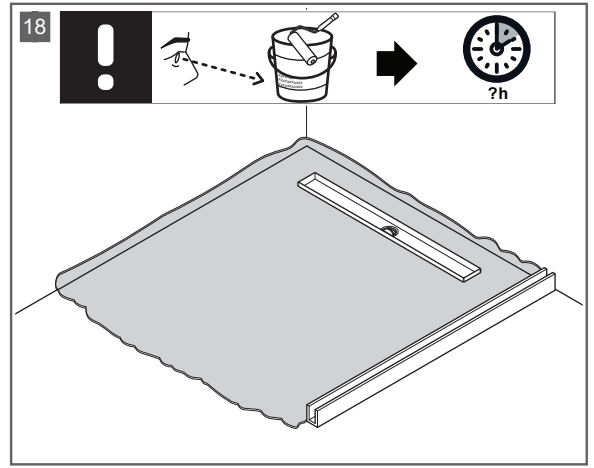
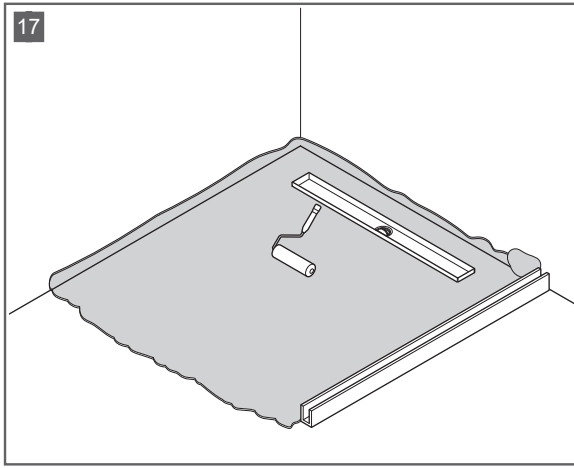
Standard



Low







Uponor GmbH

Industriestraße 56,
D-97437 Hassfurt, Germany

1137638 v2_01_2023_INT
Production: Uponor / SKA

Uponor reserves the right to make changes, without prior notification, to the specification of incorporated components in line with its policy of continuous improvement and development.

