



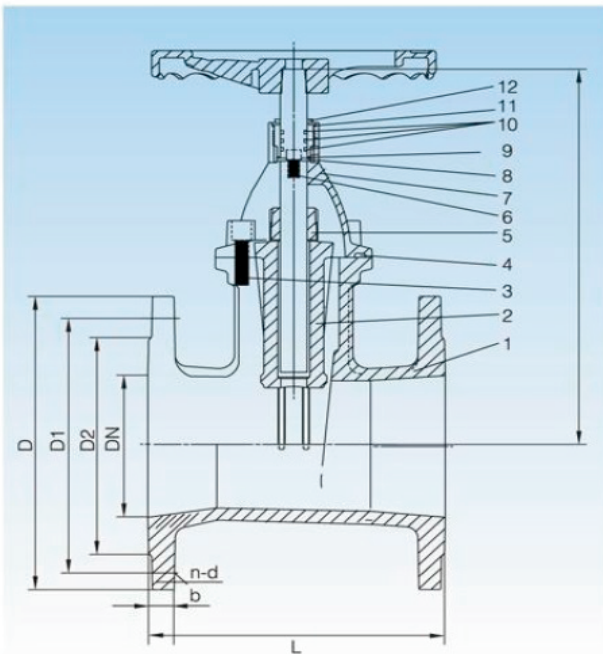
ЗАСУВКИ З ОБГУМОВАНИМ КЛИНОМ





DIN 3352 F4 Resilient Seat Gate Valve PN10/16

- ▣ Design standard: DIN3352
- ▣ Flange: DIN2501 PN10, PN16
- ▣ Face to face dimensions: DIN3202 (Equal To ISO5752)
- ▣ Test standard: DIN3230
- ▣ Work temperature: NBR < 80°C
EPDM < 120°C



Main components and their materials

| NUM | Name | Material |
|-----|---------------|-------------------------|
| 1 | Body | Ductile iron |
| 2 | Gate | Ductile iron+EPDM |
| 3 | Bonnet Bolts | Galvanized carbon steel |
| 4 | Bonnet Gasket | NBR |
| 5 | Stem Nuts | Brass |
| 6 | Stem | 2Cr13 |
| 7 | Bonnet | Ductile iron |
| 8 | Splint Collar | Iron+Electroplate |
| 9 | Gasket | Nylon |
| 10 | "O" Ring | NBR |
| 11 | "O" Ring | NBR |
| 12 | Gland | Brass |

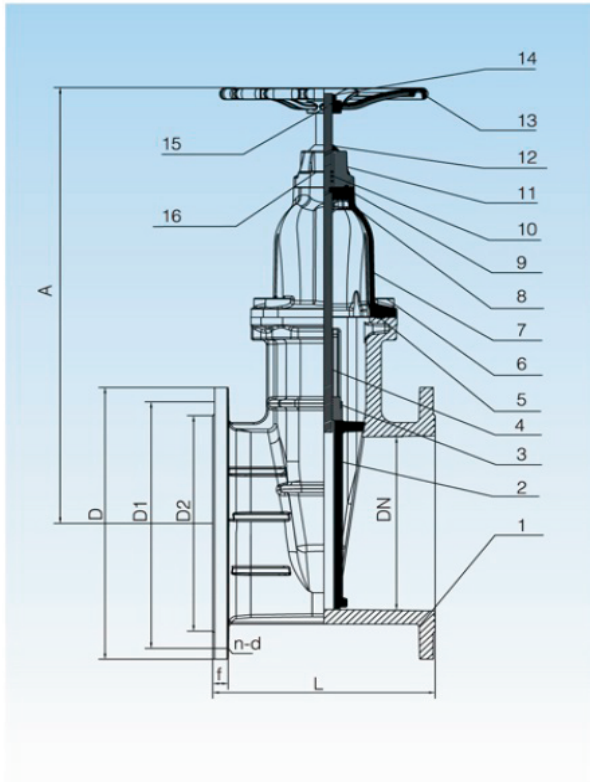
Dimensions & Weight

| DN | L (mm) F4 | A (mm) | Flange dimensions to DIN2501 (mm) | | | | | | | | | |
|-----|-----------------|-----------|-----------------------------------|------------|------------|------------|------------|------------|---|----|------------|------------|
| | | | D | | D1 | | D2 | | f | t | n-d | |
| | | | 1.0 Mpa | 1.6 Mpa | 1.0 Mpa | 1.6 Mpa | 1.0 Mpa | 1.6 Mpa | | | 1.0 Mpa | 1.6 Mpa |
| 50 | 150 | 260 | 160 | | 125 | | 99 | | 2 | 15 | 4-19 | |
| 65 | 170 | 270 | 179 | | 145 | | 118 | | 2 | 15 | 4-19 | |
| 80 | 180 | 310 | 194 | | 160 | | 132 | | 2 | 16 | 8-19 | |
| 100 | 190 | 340 | 220 | | 180 | | 156 | | 2 | 16 | 8-19 | |
| 125 | 200 | 405 | 250 | | 210 | | 184 | | 2 | 18 | 8-19 | |
| 150 | 210 | 460 | 276 | | 240 | | 211 | | 2 | 18 | 8-23 | |
| 200 | 230 | 570 | 330 | | 295 | | 266 | | 3 | 20 | 8-23 | 12-23 |
| 250 | 250 | 660 | 385 | 395 | 350 | 355 | 319 | | 3 | 22 | 12-23 | 12-28 |
| 300 | 270 | 770 | 435 | 450 | 400 | 410 | 370 | | 3 | 24 | 12-23 | 12-28 |



DIN 3352 Resilient Seat Gate Valve PN10/16 DN350-DN800

- Design standard: DIN3352
- Flange: DIN2501 PN10, PN16
- Face to face dimensions: DIN3202 (Equal To ISO5752)
- Test standard: DIN3230
- Work temperature: NBR < 80°C
EPDM < 120°C



Main components and their materials

| NUM | Name | Material |
|-----|---------------|-------------------|
| 1 | Body | Ductile iron |
| 2 | Wedge | Ductile iron+EPDM |
| 3 | Stem nut | Brass |
| 4 | Stem | 2Cr13 |
| 5 | Middle Gasket | NBR |
| 6 | Middle Nuts | Steel |
| 7 | Bonnet | Ductile iron |
| 8 | Splint Collar | Brass |
| 9 | Gland Gasket | NBR |
| 10 | "O" Ring | NBR |
| 11 | Gland | Ductile iron |
| 12 | Dustproof | NBR |
| 13 | Hand Wheel | Ductile iron |
| 14 | Nuts | Steel |
| 15 | Spacer | Steel |
| 16 | Bolts | Steel |

Dimensions & Weight

| DN | L (mm) | | A (mm) | Flange dimensions to DIN2501PN16(mm) | | | | | | | | | |
|-----|--------|------|--------|--------------------------------------|---------|---------|---------|---------|---------|---|------|---------|---------|
| | F4 | F5 | | D | | D1 | | D2 | | f | t | n-d | |
| | | | | 1.0 Mpa | 1.6 Mpa | 1.0 Mpa | 1.6 Mpa | 1.0 Mpa | 1.6 Mpa | | | 1.0 Mpa | 1.6 Mpa |
| 350 | 290 | 550 | 870 | 505 | 520 | 460 | 470 | 429 | | 4 | 24.5 | 16-23 | 16-23 |
| 400 | 310 | 600 | 1010 | 565 | 580 | 515 | 525 | 480 | 489 | 4 | 24.5 | 16-28 | 16-31 |
| 450 | 330 | 650 | 1080 | 615 | 640 | 565 | 585 | 530 | 548 | 4 | 25.5 | 20-28 | 20-31 |
| 500 | 350 | 700 | 1180 | 670 | 715 | 620 | 650 | 582 | 609 | 4 | 26.5 | 20-28 | 20-34 |
| 600 | 390 | 800 | 1345 | 780 | 840 | 725 | 770 | 682 | 720 | 5 | 30 | 20-31 | 20-37 |
| 700 | 430 | 900 | 1460 | 895 | 910 | 840 | 840 | 800 | 795 | 5 | 32.5 | 24-31 | 24-37 |
| 800 | 470 | 1000 | 1640 | 1015 | 1025 | 950 | 950 | 905 | 900 | 5 | 35 | 24-34 | 24-40 |