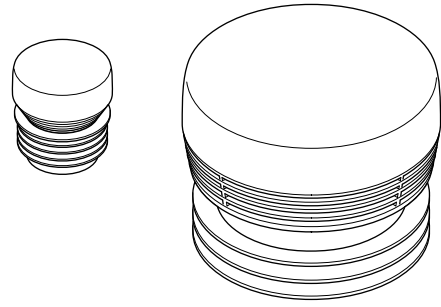
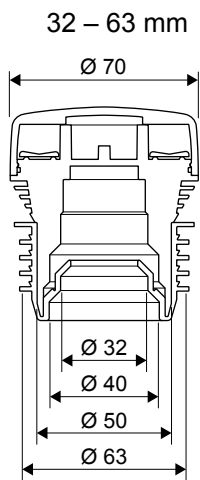
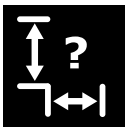


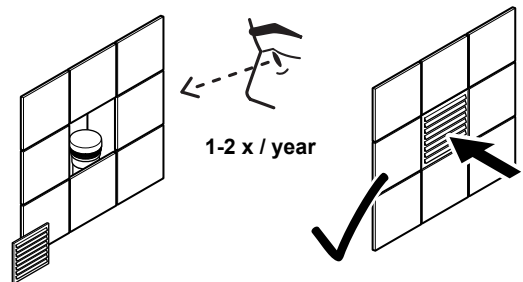
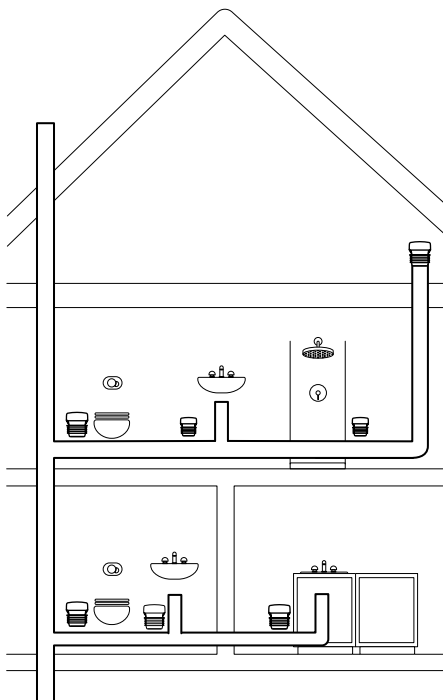
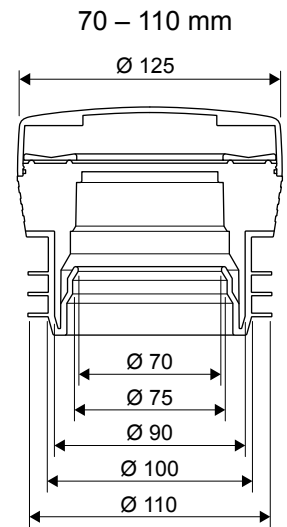
## Uponor HypAir admittance valves

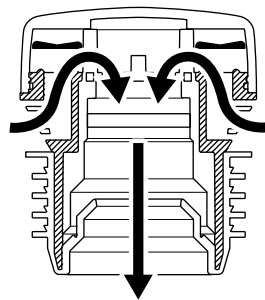
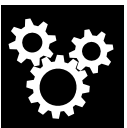
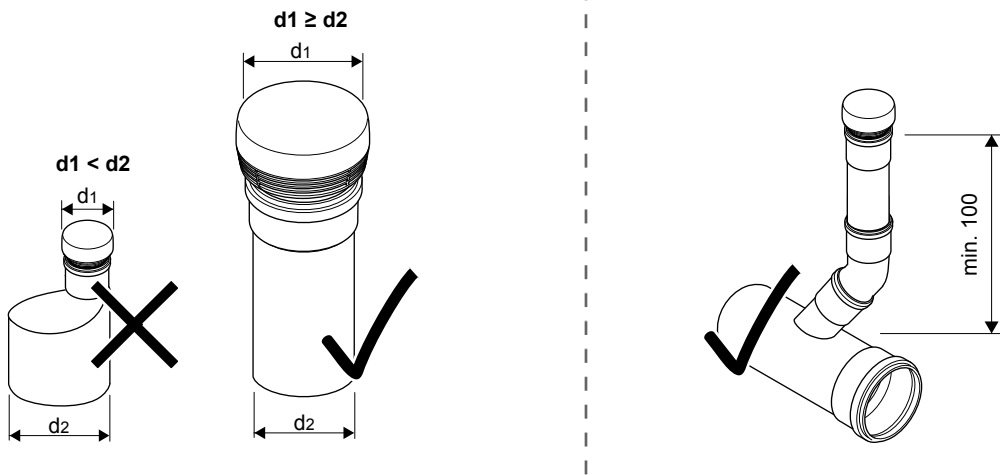
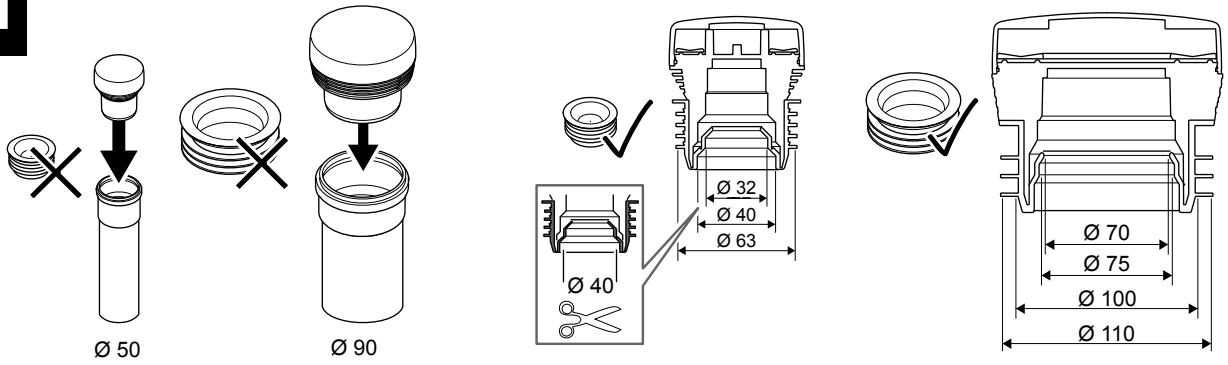


SD000024

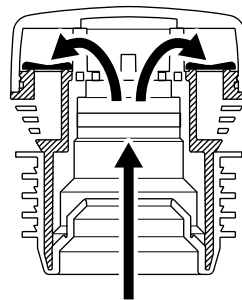


	32 – 63	70 – 110
EN 12380	AI	AI
$\dot{V}$ max. [l/s]	6,1	23,2
t min./max. [°C]	-20 ... +60	-20 ... +60
m [kg]	0,1	0,35





open



close

## Uponor GmbH

Industriestraße 56,  
D-97437 Hassfurt, Germany

1135066 v2\_05\_2022\_INT  
Production: Uponor/SDE\_FM

Uponor reserves the right to make changes, without prior notification, to the specification of incorporated components in line with its policy of continuous improvement and development.

