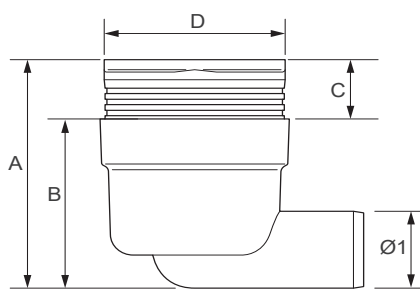
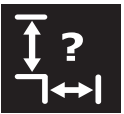
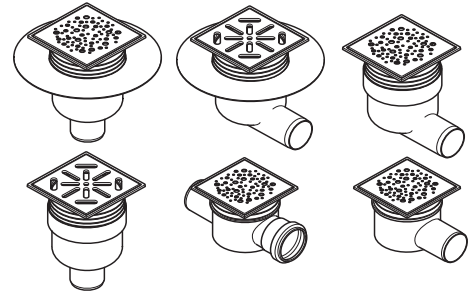
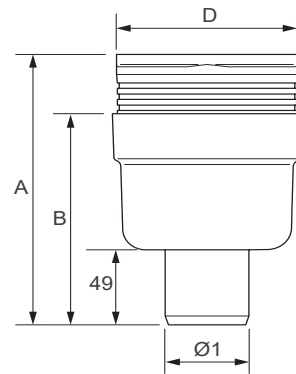


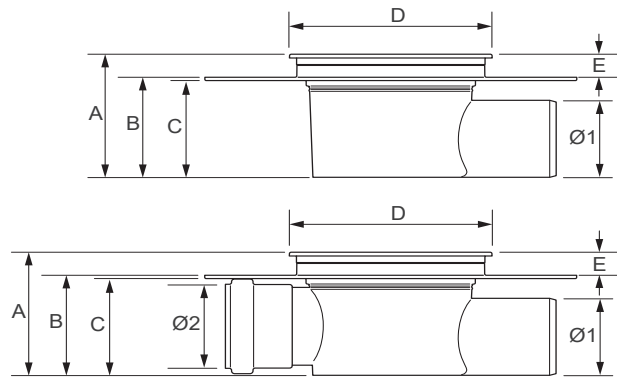
Uponor Aqua Ambient point drain inlets



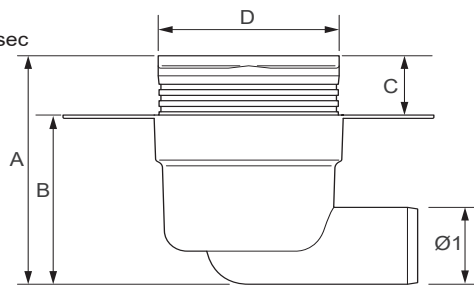
A	B	C	D	Ø1
120-150	110	10-30	120	50



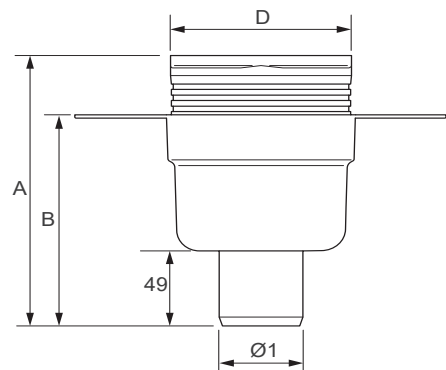
A	B	C	D	Ø1
146-177	140	8-31	120	50



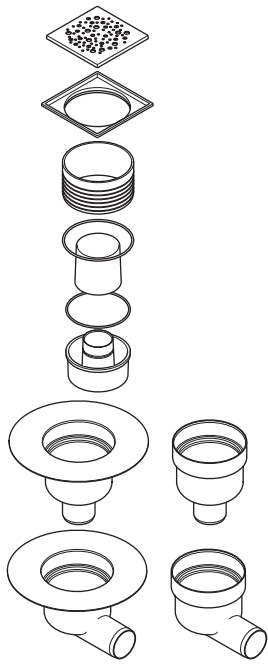
A	B	C	D	E	Ø1	Ø2
80-105	65	63	120	15	50	50



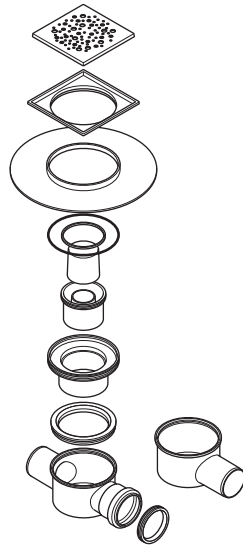
A	B	C	D	Ø1
120-150	110	10-30	120	50



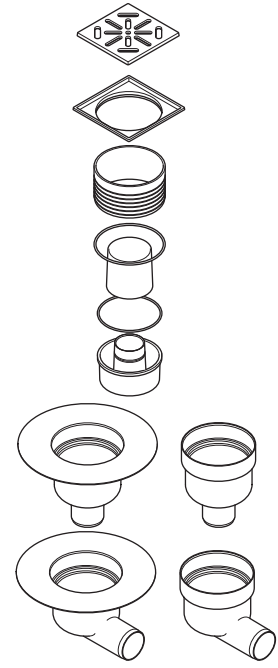
A	B	C	D	Ø1
146-177	140	8-31	120	50



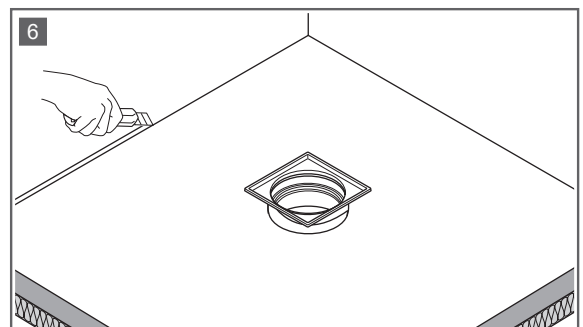
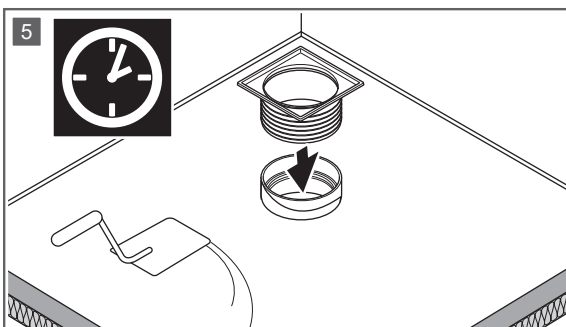
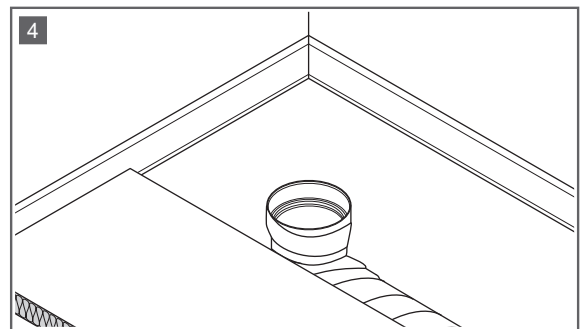
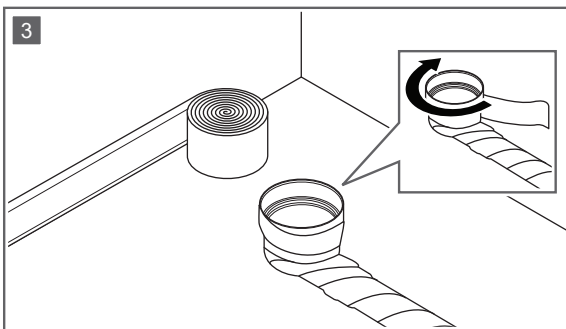
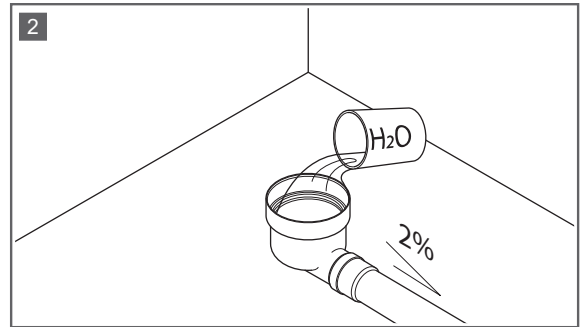
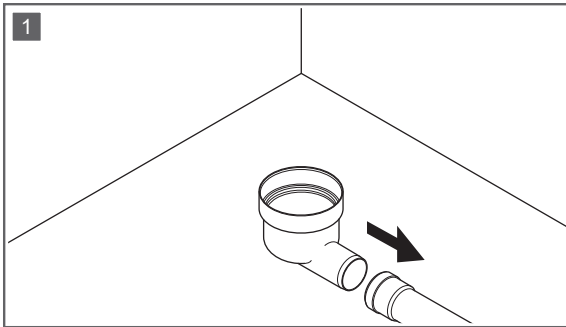
Classic

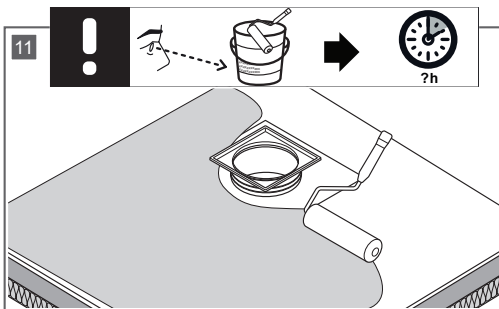
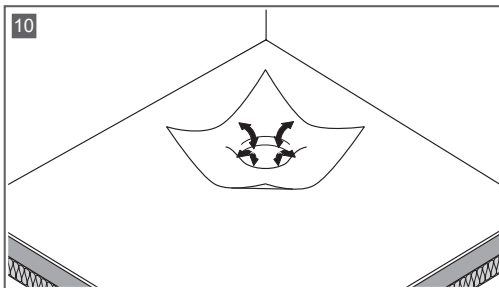
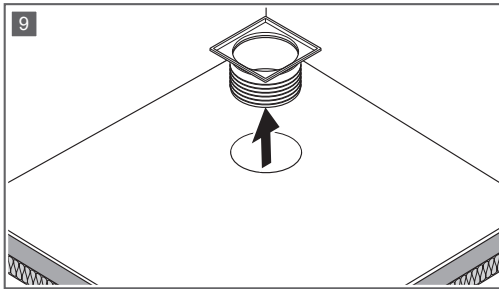
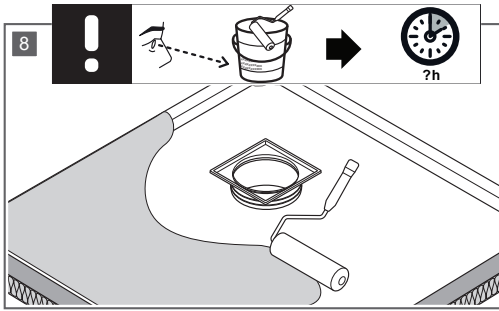
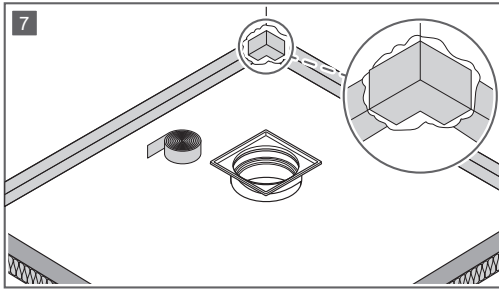


Super

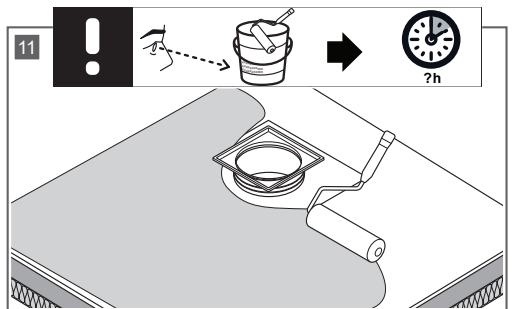
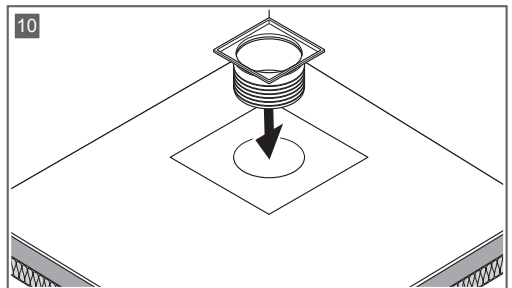
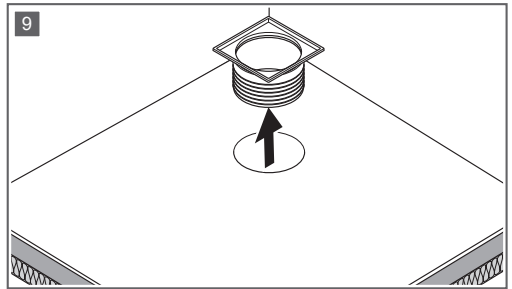
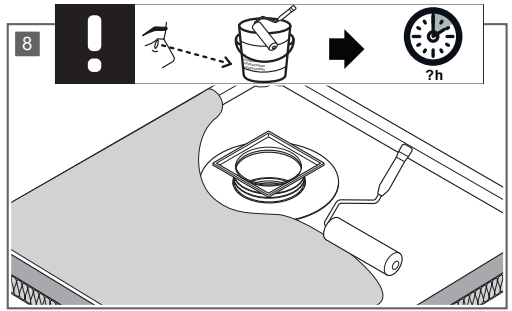


Standard

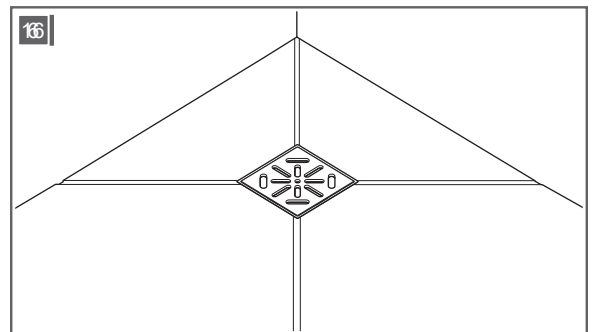
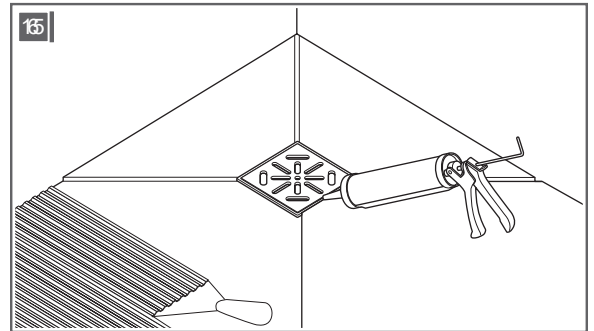
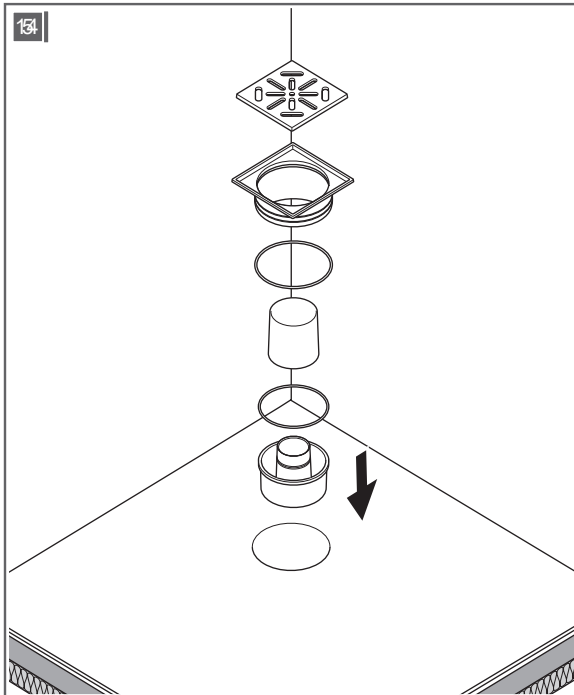
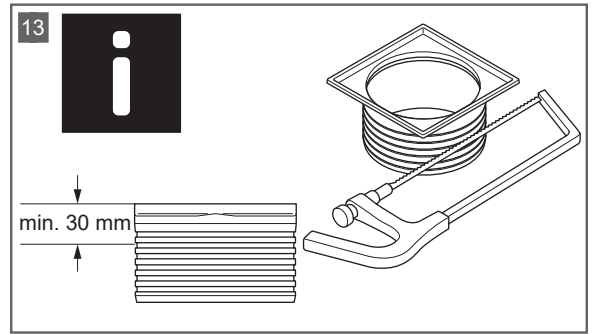
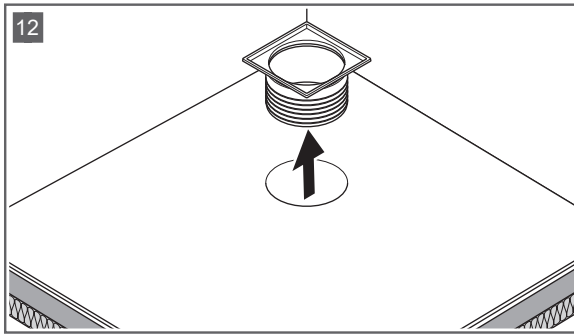




A



B



Uponor GmbH

Industriestraße 56,
D-97437 Hassfurt, Germany

1139871 v1_01_2023_INT
Production: Uponor / SKA

Uponor reserves the right to make changes, without prior notification, to the specification of incorporated components in line with its policy of continuous improvement and development.

