

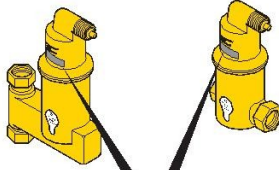



Mounting and operating instruction


For article no's starting with AA, except for AAS



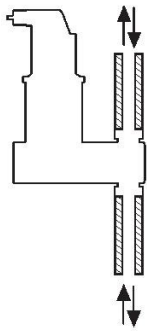
17.657_04









 0- ... bar


 0- ... °C

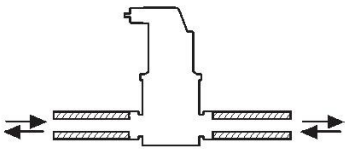
Acc.PED (2014/68/EU) §4.3










 H₂O
< 50% glycol

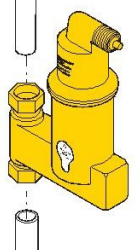
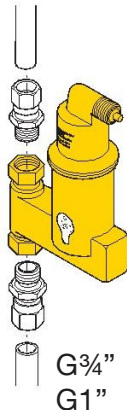










 0 bar

ø22mm


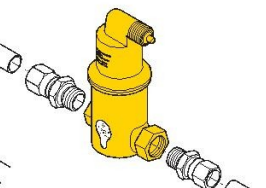



G^{3/4}"
G1"






 0 bar

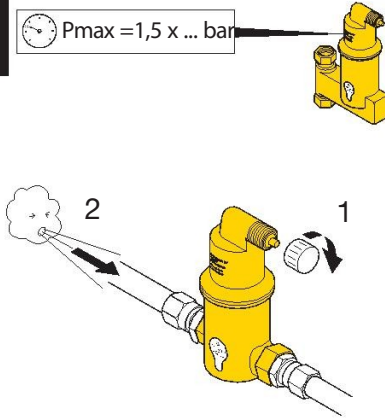
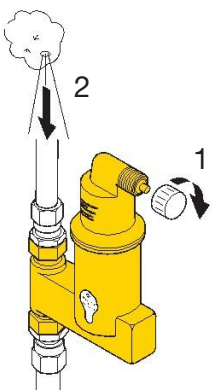
ø22mm


G^{3/4}"
G1"
G1^{1/4}"
G1^{1/2}"
G2"



 P_{max} = 1,5 x ... bar

1



2